

杭州安久传动有限公司

Hangzhou Ang Drive Co.,Ltd.

Add:No.185,Jincheng Rd.,Hangzhou,China

Zip Code:311202

Tel:0086 571 8210 1305

Email:info@angdrive.com



不锈钢减速机

Stainless steel Gearbox

杭州安久传动有限公司
Hangzhou ANG Drive Co.,Ltd.

我们立足于长期的精心科研和先进的管理理念，利用精良的生产和检测设备，以高品质的产品和完善周到的服务争取市场，帮助客户在全球范围内取得成功。

Based on constant research, advanced management, sophisticated production and testing equipment, we develop market with high-quality products and thoughtful service, so as to help customers achieve success all over the world.



企业简介

杭州安久传动有限公司主要经营蜗杆减速机、齿轮减速机、交流与直流电机以及相关传动产品。

公司严格执行质量管理体系，从开发设计，原料采购，进料检验、一贯化制程到成品包装出货，皆层层严格把关，期望为广大客户提供高性能、低成本、更适合的专业传动方案。

我们坚持优质产品、优质服务，为客户创造价值，让客户满意。

ANG Drive is specialized in worm gearbox, helical gearbox, AC & DC motor, and related transmission products.

The company strictly implements the quality management system, from design & development, raw material procurement, incoming inspection, consistent process to the finished product packaging & delivery, and expects to provide our customers with high performance, competitive price and more suitable transmission solutions.

We insist on high-quality products and services to create value for customers and satisfy customers.

频繁清洗领域的传动方案

The drive solution for all applications in areas subject to frequent cleaning

不锈钢减速电机 Stainless steel gearmotors

ANG的不锈钢减速电机保证运行的机器和系统能够深度清洁。不锈钢减速机不论是用于材料处理、物流运输或卫生系统的运用，其易清洁、寿命长、免维护的特点，广泛应用于食品和饮料行业，医药行业和其他一些长期处于高湿度的工况。本产品符合欧盟食品机械卫生标准《DOC.8 Hygienic equipment design criteria》。

The stainless steel gearmotors from ANG keep things moving wherever machines and systems are subject to particularly intensive cleaning. Regardless of whether the gearmotors are used for materials handling, intralogistics or hygienic applications, their hygienic properties, long operating life and maintenance friendliness make them optimally suited to the specific production conditions in the food and beverage industry, pharmaceutical industry, and in permanently wet environments. This product meets 《DOC.8 Hygienic equipment design criteria》 -- EU Hygienic standard for food machinery.



**RESR Series
Stainless Steel Gearmotors**
Size:37-67
Ratio:3.41-199.81
Input power:0.12-7.5 kW
Output torque:2.4-835N.m



**RESK Series
Stainless Steel Gearmotors**
Size:37-67
Ratio:3.97-145.14
Input power:0.12-5.5 kW
Output torque:10-880N.m



**RESS Series
Stainless Steel Worm Gears**
Size:40-90
Ratio:7.5-100
Input power:0.09-4kW
Output torque:19-458N.m

整体清洁方案

Always a clean solution

ANG的不锈钢减速电机因其特殊的箱体结构设计并使用高品质的不锈钢材质，消除了藏污纳垢的凹槽，表面易清洗，并且有很强的抗酸、抗碱能力，适应高盐雾、高粉尘、高温高湿的挑战环境，有效地防止各种形式的腐蚀。

Stainless steel gearmotors from ANG are characterized by their special housing design and the use of high-quality stainless steel, recesses that can collect dirt and liquid have been eliminated as much as possible. Its surface is easy to clean and highly resistant against acids and alkalis; widely applied in salt spray, dusty, high temperature and extremely wet environments to prevent any form of corrosion.

功能强大和应用灵活

Robust and flexible

不锈钢减速电机具有模块化设计：输入端可选择直连不锈钢电机、IEC和NEMA输入法兰三种方式。输出端和安装可根据客户不同需要，提供实心轴、空心轴、法兰、底座等不同选择满足客户需求，适应于材料处理、物流运输或卫生系统的运用，其易清洁、寿命长、免维护的特点，使这些高品质的不锈钢减速电机适用于任何完美解决方案。

Modular design of stainless steel gearmotor: allow for a variable stainless steel motor for direct mounting, IEC and NEMA adapters. Output and installation will satisfy different customer requirements, such as solid shaft, hollow shaft, flange, base plate and so on. Regardless of whether they are used of materials handling, intralogistics or hygienic applications, their hygienic properties, long operating life and maintenance friendliness make these high-quality stainless gearmotors the perfect solution for any application.

行业应用案例

Industry Application

- 食品行业 Food Industry
- 乳制品和牛奶加工企业 Dairies and Milk-processing Companies
- 医药行业 Pharmaceutical Industry
- 实验室的一些应用 Lab Applications
- 饮料生产和罐装 Beverage Production and Bottling
- 供水系统 Water Supply
- 化妆品行业 Cosmetics Industry
- 肉类加工行业 Meat Processing Industry
- 所有应用于长期的潮湿环境的工况 All Applications in Extremely wet Environments



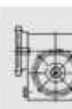
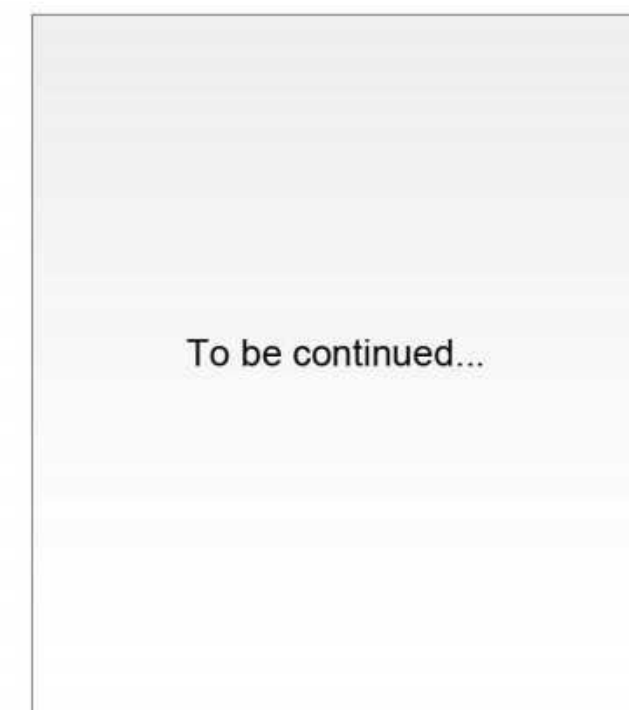
目录

- P5 1. 产品图片
- P6 2. RESR.. 不锈钢斜齿轮减速电机
- P6 2.1 产品结构
- P7 2.2 型号说明
- P8-15 2.3 选型参数表
- P16-17 2.4 安装尺寸
- P18 3. RESK.. 不锈钢斜齿轮-伞齿轮减速电机
- P18 3.1 产品结构
- P19 3.2 型号说明
- P20-25 3.3 选型参数表
- P26-27 3.4 安装尺寸
- P28 3.5 电机尺寸表
- P29 4. RESSD.. 不锈钢蜗杆减速电机
- P29 4.1 产品结构
- P29 4.2 型号说明
- P30 4.3 选型参数表
- P31-33 4.4 安装尺寸

CONTENTS

- P5 1. Product Pictures
- P6 2. RESR.. Stainless Steel Helical Gear Motor
- P6 2.1 Product structure
- P7 2.2 Model Description
- P8-15 2.3 Parameter for Model Chosen
- P16-17 2.4 Installation Dimensions
- P18 3. RESK.. Stainless Steel Helical-Bevel Gear Motor
- P18 3.1 Product structure
- P19 3.2 Model Description
- P20-25 3.3 Parameter for Model Chosen
- P26-27 3.4 Installation Dimensions
- P28 3.5 The Size of Motor
- P29 4. RESSD.. Stainless Steel Worm Gear Motor
- P29 4.1 Product structure
- P29 4.2 Model Description
- P30 4.3 Parameter for Model Chosen
- P31-33 4.4 Installation Dimensions

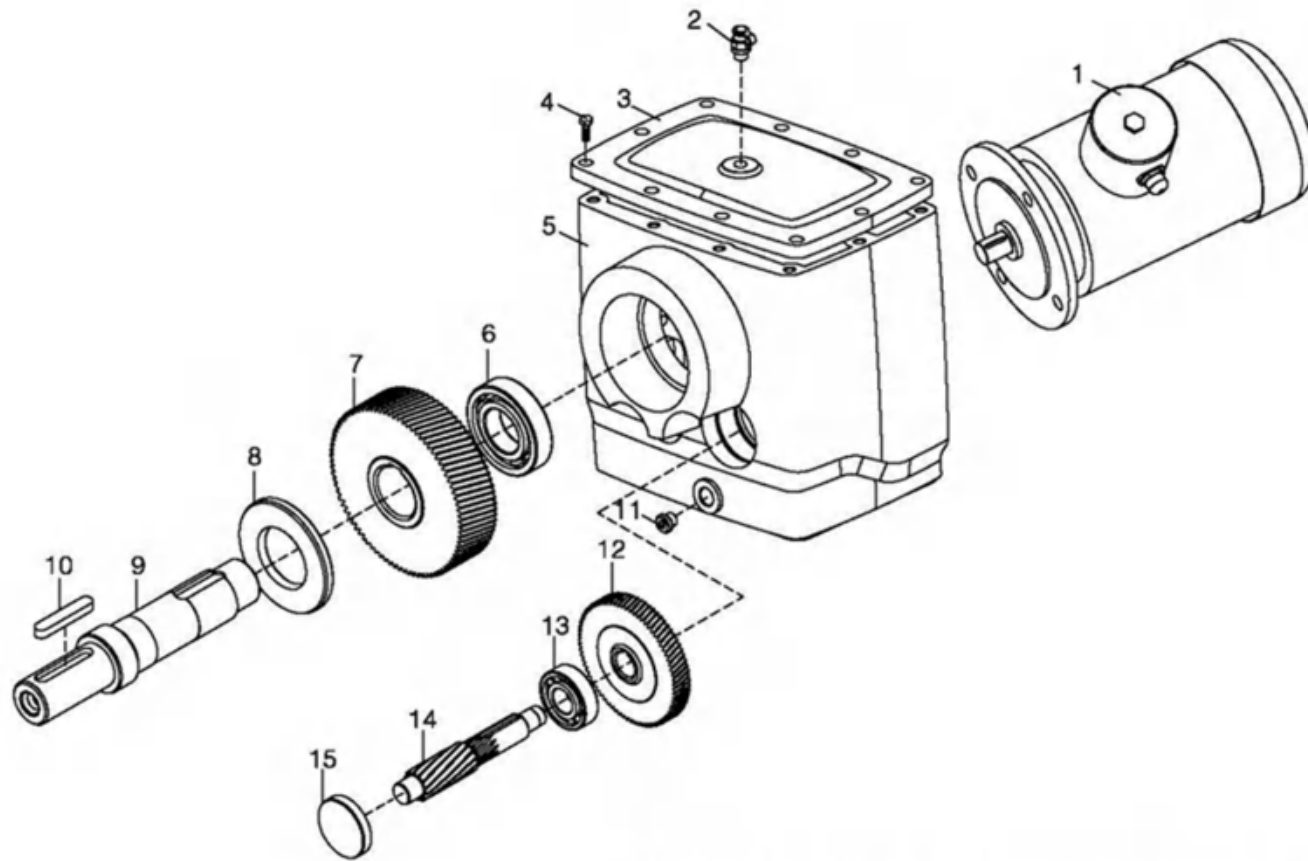
1.产品图片 Product Pictures





2. RESR.. 不锈钢斜齿轮减速电机 Stainless Steel Helical Gear Motor

1.1 产品结构 Product structure



序号	名称	Name
1	不锈钢电机	Stainless Steel Motor
2	通气器	Breather
3	视孔盖	Gearcase Cover
4	螺栓	Bolt
5	箱体	Housing
6	轴承	Bearing
7	齿轮	Gear
8	油封	Seal
9	输出轴	Output Shaft
10	键	Key
11	放油螺塞	Screw Plug
12	齿轮	Gear
13	轴承	Bearing
14	齿轮轴	Gear Shaft
15	密封端盖	Closing Cover

2.2 型号说明 Model Description

RESR F 67 II SS90-4P-1.5-61.26-180°

1 2 3 4 5 6 7 8 9

<p>1</p> <p>产品代码 RESR-不锈钢斜齿轮减速电机 Product code Resr- stainless steel helical gear reducer for food</p>	<p>2</p> <p>装配型式 无代码-底座安装 F-法兰安装 Assembly type No code-foot mounting F-flange installation</p>	<p>3</p> <p>减速机规格号 67-减速机规格号为67 Gear reducer Size Number 67-Gear Reducer Size Number 6</p>
<p>4</p> <p>法兰盘大小Flange size 无代码-无法兰No code - without flange 或只有一种法兰Or just one kind of flange. 或一种以上法兰中的最小法兰; Or the smallest flange in more than one flange I -两种法兰中的大法兰或三种法兰中的中法兰; II -the large flange in two flanges or the middle flange in three flanges III -三种法兰中的最大法兰; III -the biggest flange in three flanges</p>	<p>5</p> <p>不锈钢电机规格代号 SS90-不锈钢电机规格号为90 Specification code for stainless steel motor SS90-stainless steel motor size number 90</p>	<p>6</p> <p>电动机极数 4P-电动机极数为4 Motor pole number Motor pole number 4</p>
<p>7</p> <p>电机功率 1.5-电机功率为1.5kW Power of Motor 1.5- Motor power 1.5kw</p>	<p>8</p> <p>减速机传动比 61.26-减速机传动比为61.26 Gear ratio of speed reducer 61.26- Reducer transmission ratio is 61.26</p>	<p>9</p> <p>接线盒位置 无代码-安装型式图中0°位置 180°-安装型式图中180°位置 Junction box position No code-0° position in installation pattern diagram 180° - 180° position in the installation pattern diagram</p>



2.3 选型参数表
Parameter for Model Chosen

输出转速 Output speed n_a [r/min]	输出转矩 Output torque T_a [N·m]	传动比 Ratio i	出轴许用 径向负载 Permitted overhung load $F_{ra}^{(1)}$ [N]	使用 系数 Service factor f_s	型号 Model	
0.18kW						
4.3	395	199.81	9370	1.50	RESR67SS71-6P RESRF67SS71-6P	
4.7	385	184.07	9560	1.65		
5.5	310	158.14	9830	1.90		
6.3	270	137.67	10000	2.2		
6.8	255	128.97	10100	2.4		
7.6	225	113.94	10200	2.7		
8.2	210	105.83	10200	2.9		
9.1	190	95.91	10300	3.2		
10	170	86.11	10300	3.5		
12	147	74.17	10400	4.1		
12	138	69.75	10400	4.4		
6.6	260	199.81	10100	2.3		RESR67SS63-4P RESRF67SS63-4P
7.2	240	184.07	10100	2.5		
8.4	205	158.14	10200	2.9		
9.6	179	137.67	10300	3.4		
10	168	128.97	10300	3.6		
12	148	113.94	10400	4.0		
12	138	105.83	10400	4.4		
0.25kW						
4.4	540	199.81	8190	1.10	RESR67SS71-6P RESRF67SS71-6P	
4.8	500	184.07	8590	1.20		
5.6	430	158.14	9140	1.40		
6.4	375	137.67	9500	1.60		
6.8	350	128.97	9630	1.70		
7.7	310	113.94	9840	1.95		
8.3	285	105.83	9940	2.1		
6.5	365	199.81	9540	1.65		RESR67SS71-4P RESRF67SS71-4P
7.1	340	184.07	9700	1.80		
8.2	290	158.14	9830	2.1		
9.4	255	137.67	10100	2.4		
10	235	128.97	10100	2.5		
11	210	113.94	10200	2.9		
12	194	105.83	10300	3.1	RESR57SS71-6P RESRF57SS71-6P	
14	178	95.91	10300	3.4		
15	158	86.11	10400	3.8		
4.7	505	186.89	6450	0.90		RESR57SS71-6P RESRF57SS71-6P
5.1	485	172.17	7030	0.95		
5.9	400	147.92	7300	1.10		
6.8	350	128.77	7480	1.30		
7.3	325	120.63	7550	1.36		
8.3	290	106.58	7660	1.55		
8.9	270	98.99	7710	1.70		
7.0	345	186.89	7500	1.30	RESR57SS71-4P RESRF57SS71-4P	
7.6	315	172.17	7590	1.40		
8.8	270	147.92	7700	1.65		
10	235	128.77	7780	1.90		
11	220	120.63	7810	2.0		
12	196	106.58	7860	2.3		
13	182	98.99	7880	2.5	RESR47SS63-4P RESRF47SS63-4P	
14	165	89.71	7910	2.7		
16	148	80.55	7930	3.0		
19	127	69.23	7960	3.5		
7.4	325	176.88	5280	0.90		RESR47SS71-4P RESRF47SS71-4P
8.0	300	162.94	5420	1.00		
9.3	255	139.99	5630	1.15		
11	225	121.87	5770	1.35		
11	210	114.17	5820	1.45	RESR37SS63-4P RESRF37SS63-4P	
13	185	100.86	5900	1.60		
14	172	93.68	5940	1.75		
15	156	84.90	5980	1.90		
0.18kW						
16	110	84.61	5760	1.80		RESR37SS63-4P RESRF37SS63-4P
18	96	73.96	5840	2.1		
19	90	69.33	5870	2.2		
22	80	61.18	5920	2.5		
24	73	55.76	5940	2.8		
27	63	48.08	5960	3.2		
0.25kW						
4.4	540	199.81	8190	1.10	RESR67SS71-6P RESRF67SS71-6P	
4.8	500	184.07	8590	1.20		
5.6	430	158.14	9140	1.40		
6.4	375	137.67	9500	1.60		
6.8	350	128.97	9630	1.70		
7.7	310	113.94	9840	1.95		
8.3	285	105.83	9940	2.1		
6.5	365	199.81	9540	1.65		RESR67SS71-4P RESRF67SS71-4P
7.1	340	184.07	9700	1.80		
8.2	290	158.14	9830	2.1		
9.4	255	137.67	10100	2.4		
10	235	128.97	10100	2.5		
11	210	113.94	10200	2.9		
12	194	105.83	10300	3.1	RESR57SS71-6P RESRF57SS71-6P	
14	178	95.91	10300	3.4		
15	158	86.11	10400	3.8		
0.25kW						
4.7	505	186.89	6450	0.90		RESR57SS71-6P RESRF57SS71-6P
5.1	485	172.17	7030	0.95		
5.9	400	147.92	7300	1.10		
6.8	350	128.77	7480	1.30		
7.3	325	120.63	7550	1.36		
8.3	290	106.58	7660	1.55		
8.9	270	98.99	7710	1.70		
7.0	345	186.89	7500	1.30	RESR57SS71-4P RESRF57SS71-4P	
7.6	315	172.17	7590	1.40		
8.8	270	147.92	7700	1.65		
10	235	128.77	7780	1.90		
11	220	120.63	7810	2.0		
12	196	106.58	7860	2.3		
13	182	98.99	7880	2.5	RESR47SS63-4P RESRF47SS63-4P	
14	165	89.71	7910	2.7		
16	148	80.55	7930	3.0		
19	127	69.23	7960	3.5		
0.25kW						
7.4	325	176.88	5280	0.90		RESR47SS71-4P RESRF47SS71-4P
8.0	300	162.94	5420	1.00		
9.3	255	139.99	5630	1.15		
11	225	121.87	5770	1.35		
11	210	114.17	5820	1.45	RESR37SS63-4P RESRF37SS63-4P	
13	185	100.86	5900	1.60		
14	172	93.68	5940	1.75		
15	156	84.90	5980	1.90		

输出转速 Output speed n_a [r/min]	输出转矩 Output torque T_a [N·m]	传动比 Ratio i	出轴许用 径向负载 Permitted overhung load $F_{ra}^{(1)}$ [N]	使用 系数 Service factor f_s	型号 Model	
0.25kW						
17	140	76.23	6020	2.1	RESR47SS71-4P RESRF47SS71-4P	
19	126	68.54	6050	2.4		
20	118	64.21	6070	2.5		
23	104	56.73	6090	2.9		
25	97	52.69	6100	3.1		
27	88	47.75	6080	3.4		
9.6	250	134.82	2630	0.80		RESR37SS71-4P RESRF37SS71-4P
11	225	123.66	4560	0.90		
12	193	105.28	5030	1.05		
14	167	90.77	5320	1.20		
15	155	84.61	5420	1.30		
18	136	73.96	5590	1.45		
19	127	69.33	5650	1.55		
21	112	61.18	5750	1.80		
23	102	55.76	5800	1.95		
27	88	48.08	5870	2.3		
29	82	44.81	5760	2.4		
33	72	39.17	5540	2.8		
35	67	36.72	5430	3.0		
40	60	32.40	5230	3.4		
0.37kW						
5.7	620	158.14	7300	0.95	RESR67SS80-6P RESRF67SS80-6P	
6.5	540	137.67	8210	1.10		
7.0	505	128.97	8530	1.20		
7.9	445	113.94	9010	1.35		
6.9	510	199.81	8480	1.15		RESR67SS71-4P RESRF67SS71-4P
7.5	470	184.07	8820	1.25		
8.7	405	158.14	9310	1.50		
10	355	137.67	9620	1.70		
11	330	128.97	9740	1.80		
12	290	113.94	9920	2.1		
13	270	105.83	10000	2.2		
14	245	95.91	10100	2.4		
16	220	86.11	10200	2.7		
19	190	74.17	10300	3.2		
20	179	69.75	10300	3.4		
23	157	61.26	10400	3.8		
24	146	56.89	10400	4.1		
7.0	505	128.77	6510	0.90	RESR57SS80-6P RESRF57SS80-6P	
7.5	475	120.63	7000	0.95		
8.4	420	106.58	7240	1.10		
9.1	390	98.99	7350	1.15		
0.37kW						
7.4	480	186.89	6980	0.95		RESR57SS71-4P RESRF57SS71-4P
8.0	440	172.17	7140	1.00		
9.3	380	147.92	7390	1.20		
11	330	128.77	7550	1.35		
11	310	120.63	7610	1.45	RESR37SS71-4P RESRF37SS71-4P	
13	275	106.58	7700	1.65		

输出转速 Output speed n_a [r/min]	输出转矩 Output torque T_a [N·m]	传动比 Ratio i	出轴许用 径向负载 Permitted overhung load $F_{ra}^{(1)}$ [N]	使用 系数 Service factor f_s	型号 Model	
0.37kW						
14	255	98.99	7750	1.80	RESR57SS71-4P RESRF57SS71-4P	
15	230	89.71	7800	1.95		
17	205	80.55	7840	2.2		
20	177	69.23	7890	2.5		
21	166	64.85	7910	2.7		
24	147	57.29	7780	3.1		
26	136	53.22	7600	3.3		
29	124	48.23	7380	3.6		
9.9	360	139.99	3490	0.85		RESR47SS71-4P RESRF47SS71-4P
11	310	121.87	5350	0.95		
12	290	114.17	5460	1.05		
14	260	100.86	5630	1.15		
15	240	93.68	5700	1.25		
16	215	84.90	5790	1.40		
18	195	76.23	5870	1.55		
20	176	68.54	5930	1.70		
21	164	64.21	5960	1.80		
24	145	56.73	6010	2.1		
26	135	52.69	5990	2.2		
29	122	47.75	5820	2.5		
32	110	42.87	5650	2.7		
37	95	36.93	5410	3.2		
40	89	34.73	5310	3.4		
41	87	33.79	5270	2.8	RESR47SS71-4P RESRF47SS71-4P	
44	80	31.12	5150	2.8		
52	69	26.74	4920	4.4		
59	60	23.28	4720	5.0		
63	56	21.81	4620	5.4		
15	230	90.77	4250	0.85		RESR37SS71-4P RESRF37SS71-4P
16	215	84.61	4720	0.90		
19	189	73.96	5070	1.05		
20	178	69.33	5210	1.15		
23	157	61.18	5410	1.30		
25	143	55.76	5530	1.40		
29	123	48.08	5590	1.60	RESR37SS71-4P RESRF37SS71-4P	
31	115	44.81	5490	1.75		
35	100	39.17	5290	2.0		
38	94	36.72	5190	2.1		
43	83	32.40	5010	2.4		
48	74	28.73	4850	2.7		
57	63	24.42	4620	3.2		
49	73	28.32	4630	2.8	RESR37SS71-4P RESRF37SS71-4P	
53	67	26.03	4710	2.8		
62	57	22.27	4500	3.5		
71	49	19.31	4320	4.1		
76	46	18.05	4230	4.3		
88	40	15.60	4050	5.0		RESR37SS71-4P RESRF37SS71-4P
104	34	13.25	3850	5.6		
117	30	11.83	3720	6.0		





输出转速 Output speed n_2 [r/min]	输出转矩 Output torque T_2 [N·m]	传动比 Ratio i	出轴许用 径向负载 Permitted overhung load F_{ra}^{II} [N]	使用 系数 Service factor f_s	型号 Model
0.55kW					
8.6	610	158.14	7430	1.00	RESR67SS80-4P RESRF67SS80-4P
9.9	530	137.67	8290	1.15	
11	500	128.97	8800	1.20	
12	440	113.94	9060	1.35	
13	410	105.83	9280	1.45	
14	370	95.91	9520	1.60	
16	335	86.11	9730	1.80	
18	285	74.17	9940	2.1	
20	270	68.75	10000	2.2	
22	235	61.26	10100	2.5	
24	220	56.89	10200	2.7	
11	465	120.63	7030	0.95	
13	410	106.58	7260	1.10	
14	360	98.99	7370	1.20	
15	345	89.71	7490	1.30	
17	310	80.55	7600	1.45	
20	265	69.23	7710	1.70	
21	250	64.85	7750	1.80	
24	220	57.29	7530	2.0	
26	205	53.22	7390	2.2	
28	186	48.23	7190	2.4	
31	167	43.30	6980	2.7	
36	144	37.30	6700	3.1	
39	136	35.07	6580	3.3	
52	102	26.31	6060	4.4	RESR57SS80-4P RESRF57SS80-4P
54	97	24.99	5970	4.7	
62	85	21.93	5740	5.3	
73	72	18.60	5460	6.3	
15	360	93.68	3280	0.85	RESR47SS80-4P RESRF47SS80-4P
16	330	84.90	5230	0.90	
18	295	76.23	5450	1.00	
20	265	68.54	5600	1.15	
21	250	64.21	5670	1.20	
24	220	56.73	5790	1.35	
26	205	52.69	5770	1.45	
28	184	47.75	5630	1.65	
32	166	42.87	5470	1.80	
37	143	36.93	5260	2.1	
39	134	34.73	5180	2.2	
46	115	29.88	4970	2.6	
51	103	26.74	4820	2.9	RESR47SS80-4P RESRF47SS80-4P
56	90	23.28	4630	3.3	
62	84	21.81	4550	3.6	
22	235	61.18	3910	0.85	RESR37SS80-4P RESRF37SS80-4P
24	215	55.76	4740	0.95	
28	186	48.08	5120	1.10	
30	173	44.81	5230	1.15	

输出转速 Output speed n_2 [r/min]	输出转矩 Output torque T_2 [N·m]	传动比 Ratio i	出轴许用 径向负载 Permitted overhung load F_{ra}^{II} [N]	使用 系数 Service factor f_s	型号 Model
0.55kW					
35	151	39.17	5070	1.30	RESR37SS80-4P RESRF37SS80-4P
37	142	36.72	4990	1.40	
42	125	32.40	4640	1.60	
47	111	28.73	4700	1.80	
56	94	24.42	4500	2.1	
61	86	22.27	4390	2.3	
70	75	19.31	4220	2.7	RESR37SS80-4P RESRF37SS80-4P
75	70	18.05	4140	2.9	
87	60	15.60	3970	3.3	
103	51	13.25	3790	3.7	
115	46	11.83	3670	4.0	
0.75kW					
11	670	128.97	4040	0.90	RESR67SS80-4P RESRF67SS80-4P
12	590	113.94	7860	1.00	
13	550	105.83	8120	1.10	
14	500	95.91	8600	1.20	
16	445	86.11	9010	1.35	
19	385	74.17	9430	1.55	
20	360	69.75	9570	1.65	
23	320	61.26	9800	1.90	
24	295	56.89	9910	2.0	
27	270	51.56	10000	2.2	
30	240	46.29	10100	2.5	
13	555	106.58	4610	0.80	
14	515	98.99	6200	0.90	
15	465	89.71	7040	0.95	
17	420	80.55	7240	1.10	
20	360	69.23	7450	1.25	
21	335	64.85	7430	1.35	
24	295	57.29	7220	1.50	
26	275	53.22	7090	1.65	
29	250	48.23	6930	1.80	
32	225	43.30	6740	2.0	RESR57SS80-4P RESRF57SS80-4P
37	194	37.30	6490	2.3	
39	182	35.07	6380	2.5	
46	157	30.18	6130	2.9	
51	140	26.97	5940	3.2	
52	137	26.31	5900	3.3	RESR57SS80-4P RESRF57SS80-4P
55	130	24.99	5820	3.5	
63	114	21.93	5610	4.0	
74	97	18.60	5350	4.7	
20	355	68.54	3660	0.85	RESR47SS80-4P RESRF47SS80-4P
21	335	64.21	4950	0.90	
24	295	56.73	5450	1.00	
26	275	52.69	5480	1.10	
29	250	47.75	5370	1.20	RESR47SS80-4P RESRF47SS80-4P
32	225	42.87	5240	1.35	

输出转速 Output speed n_2 [r/min]	输出转矩 Output torque T_2 [N·m]	传动比 Ratio i	出轴许用 径向负载 Permitted overhung load F_{ra}^{II} [N]	使用 系数 Service factor f_s	型号 Model	
0.75kW						
37	192	36.93	5080	1.55	RESR47SS80-4P RESRF47SS80-4P	
40	180	34.73	4980	1.65		
46	155	29.88	4800	1.95		
52	139	26.70	4660	2.2		
58	122	23.59	4510	2.5		
52	139	26.74	4660	2.2		RESR47SS80-4P RESRF47SS80-4P
58	121	23.26	4490	2.5		
63	113	21.18	4420	2.7		
72	100	19.27	4270	3.0		
77	93	17.89	4180	3.1		
85	84	16.22	4070	3.3		
29	250	48.08	2330	0.80	RESR37SS80-4P RESRF37SS80-4P	
31	235	44.81	4230	0.85		
35	205	39.17	4720	1.00		
38	191	36.72	4740	1.05	RESR37SS80-4P RESRF37SS80-4P	
43	168	32.40	4610	1.20		
48	149	28.73	4490	1.35		
57	127	24.42	4320	1.60		
62	116	22.27	4230	1.75	RESR37SS80-4P RESRF37SS80-4P	
71	100	19.31	4080	2.0		
76	94	18.05	4010	2.1		
88	81	15.60	3850	2.5		
104	69	13.25	3690	2.8		
117	61	11.83	3570	3.0		
137	53	10.11	3420	3.2		
146	49	9.47	3360	3.4		
1.1kW						
16	645	86.11	6820	0.95		RESR67SS90-4P RESRF67SS90-4P
19	555	74.17	8040	1.10		
20	525	69.75	8370	1.15		
23	460	61.26	8920	1.30		
25	425	56.89	9160	1.40		
27	385	51.56	9420	1.55		
30	345	46.29	9650	1.75		
35	300	39.88	9890	1.95		
37	280	37.50	9970	2.0		
43	240	32.27	10100	2.2		
49	215	28.83	10200	2.4		
50	210	28.13	10200	2.6	RESR67SS90-4P RESRF67SS90-4P	
52	200	26.72	10100	2.7		
60	176	23.44	9730	3.2		
70	149	19.89	9270	4.0		
20	520	68.23	5990	0.85	RESR57SS90-4P RESRF57SS90-4P	
22	485	64.85	6850	0.90		
24	430	57.29	6700	1.05		
26	400	53.22	6610	1.15		
29	360	48.23	6490	1.25	RESR57SS90-4P RESRF57SS90-4P	
32	325	43.30	6350	1.40		
38	280	37.30	6140	1.60		

输出转速 Output speed n_2 [r/min]	输出转矩 Output torque T_2 [N·m]	传动比 Ratio i	出轴许用 径向负载 Permitted overhung load F_{ra}^{II} [N]	使用 系数 Service factor f_s	型号 Model	
1.1kW						
40	265	35.07	6060	1.70	RESR57SS90-4P RESRF57SS90-4P	
46	225	30.18	5850	2.0		
52	200	26.97	5690	2.2		
53	197	26.31	5650	2.3		
56	188	24.99	5580	2.4		
64	165	21.93	5400	2.7		
75	140	18.60	5170	3.2		
83	126	16.79	5030	3.6		
29	360	47.75	3500	0.85		RESR47SS90-4P RESRF47SS90-4P
33	320	42.87	4850	0.95		
38	275	36.93	4720	1.10		
40	260	34.73	4660	1.15		
47	225	29.88	4520	1.35		
52	200	26.70	4410	1.50		
58	177	23.59	4290	1.70		
60	175	23.28	4270	1.70		
64	164	21.81	4210	1.85	RESR47SS90-4P RESRF47SS90-4P	
73	145	19.27	4080	2.0		
78	134	17.89	4010	2.2		
86	122	16.22	3910	2.3		
96	109	14.56	3800	2.4	RESR47SS90-4P RESRF47SS90-4P	
112	94	12.54	3650	2.7		
119	89	11.79	3590	2.8		
138	76	10.15	3450	3.0		
154	68	9.07	3340	3.2		
43	245	32.40	2900	0.80	RESR37SS90-4P RESRF37SS90-4P	
49	215	28.73	3300	0.95		
57	183	24.42	3720	1.10		
73	145	19.31	3840	1.40	RESR37SS90-4P RESRF37SS90-4P	
78	136	18.05	3790	1.50		
90	117	15.60	3660	1.70		
106	99	13.25	3520	1.90	RESR37SS90-4P RESRF37SS90-4P	
118	89	11.83	3430	2.1		
139	76	10.11	3290	2.2		
148	71	9.47	3230	2.3		
176	60	7.97	3090	2.6		
210	50	6.67	2920	2.9		
247	43	5.67	2790	3.3		
277	38	5.08	2700	3.6		
1.5kW						
23	820	61.28	7260	0.95	RESR67SS90-4P RESRF67SS90-4P	
25	580	56.89	7810	1.05		
27	525	51.56	8370	1.15		
30	470	46.29	8830	1.30		
35	405	39.88	9300	1.45		
38	380	37.50	9460	1.50		
44	330	32.27	9750	1.65		
49	295	28.83	9920	1.80		



输出转速 Output speed n_2 [r/min]	输出转矩 Output torque T_2 [N·m]	传动比 Ratio i	出轴许用 径向负载 Permitted overhung load F_{ra}^{II} [N]	使用 系数 Service factor f_s	型号 Model
1.5kW					
50	285	28.13	9950	1.90	RESR67SS90-4P RESRF67SS90-4P
53	270	26.72	9850	2.0	
60	240	23.44	9500	2.4	
71	200	19.89	9070	3.0	
79	182	17.95	8810	3.2	
27	540	53.22	5140	0.85	RESR57SS90-4P RESRF57SS90-4P
29	490	48.23	6010	0.90	
33	440	43.30	5920	1.00	
38	380	37.30	5770	1.20	RESR57SS90-4P RESRF57SS90-4P
40	355	35.07	5710	1.25	
47	305	30.18	5540	1.45	
52	275	26.97	5420	1.65	
54	265	26.31	5390	1.70	
56	255	24.99	5330	1.75	RESR57SS90-4P RESRF57SS90-4P
64	225	21.93	5170	2.0	
76	189	18.60	4980	2.4	
84	171	18.79	4850	2.6	
95	150	14.77	4700	2.9	
101	142	13.95	4630	3.0	RESR47SS90-4P RESRF47SS90-4P
119	121	11.88	4440	3.4	
38	375	36.93	2380	0.80	
41	355	34.73	3840	0.85	
47	305	29.88	4220	1.00	
53	270	26.70	4140	1.10	
60	240	23.59	4050	1.25	
61	235	23.28	4040	1.25	RESR47SS90-4P RESRF47SS90-4P
65	220	21.81	3990	1.35	
73	196	19.27	3890	1.50	
79	182	17.89	3830	1.60	
87	165	16.22	3740	1.65	
97	148	14.56	3650	1.80	
112	127	12.54	3520	1.95	
120	120	11.79	3470	2.1	
139	103	10.15	3340	2.2	
155	92	9.07	3240	2.4	
176	81	8.01	3140	2.5	
182	79	7.76	3060	2.1	
203	71	6.96	2980	2.3	
235	61	6.00	2860	2.6	
250	57	5.64	2810	2.7	
291	49	4.85	2700	3.0	
325	44	4.34	2610	3.3	
368	39	3.83	2520	3.7	
73	196	19.31	2680	1.00	RESR37SS90-4P RESRF37SS90-4P
78	183	18.05	2840	1.10	
90	159	15.60	3160	1.25	
106	135	13.25	3350	1.40	RESR37SS90-4P RESRF37SS90-4P
119	120	11.83	3270	1.50	

输出转速 Output speed n_2 [r/min]	输出转矩 Output torque T_2 [N·m]	传动比 Ratio i	出轴许用 径向负载 Permitted overhung load F_{ra}^{II} [N]	使用 系数 Service factor f_s	型号 Model	
1.5kW						
140	103	10.11	3160	1.65	RESR37SS90-4P RESRF37SS90-4P	
149	96	9.47	3110	1.75		
177	81	7.97	2980	1.95		
211	68	6.67	2820	2.1		
249	58	5.67	2710	2.5		
279	51	5.06	2630	2.6		
328	44	4.32	2520	2.9		
348	41	4.05	2470	3.0		
414	35	3.41	2360	3.2		
211	68	13.25	2850	2.8		RESR37SS90-2P RESRF37SS90-2P
237	61	11.83	2770	3.0		
277	52	10.11	2650	3.3		
296	48	9.47	2610	3.5		
351	41	7.97	2480	3.8		
2.2kW						
35	595	39.88	7630	1.00	RESR67SS100-4P RESRF67SS100-4P	
38	560	37.50	8020	1.00		
44	480	32.27	8750	1.10		
49	430	28.83	9140	1.20		
60	350	23.44	9140	1.60		
71	295	19.89	8760	2.0		
79	270	17.95	8630	2.2		
89	235	15.79	8240	2.4		
95	220	14.91	8110	2.5		
111	189	12.70	7760	2.8		RESR67SS100-4P RESRF67SS100-4P
122	172	11.54	7560	2.9		
141	149	10.00	7250	3.2		
162	130	8.70	6960	3.4		
181	118	7.79	6760	3.3		
38	555	37.30	4490	0.80	RESR57SS100-4P RESRF57SS100-4P	
40	525	35.07	5110	0.85		
47	450	30.18	5030	1.00		
52	400	26.97	4960	1.10		
64	325	21.93	4800	1.40		RESR57SS100-4P RESRF57SS100-4P
78	275	18.60	4660	1.60		
84	250	16.79	4570	1.80		
95	220	14.77	4450	2.0		
101	210	13.95	4390	2.1		
119	177	11.88	4230	2.3		
131	161	10.79	4140	2.4		
151	139	9.35	4000	2.7		
156	135	9.06	3980	2.8		
177	119	7.97	3850	3.0		
107	197	26.31	4340	2.3	RESR57SS90-2P RESRF57SS90-2P	
112	187	24.99	4290	2.4		
128	164	21.93	4160	2.8		
151	139	18.60	3990	3.2		
167	126	16.79	3890	3.6		
190	111	14.77	3760	3.9	RESR57SS90-2P RESRF57SS90-2P	
201	104	13.95	3710	4.1		

输出转速 Output speed n_2 [r/min]	输出转矩 Output torque T_2 [N·m]	传动比 Ratio i	出轴许用 径向负载 Permitted overhung load F_{ra}^{II} [N]	使用 系数 Service factor f_s	型号 Model
2.2kW					
73	285	19.27	3550	1.05	RESR47SS100-4P RESRF47SS100-4P
87	240	16.22	3460	1.15	
97	215	14.56	3400	1.20	
112	187	12.54	3310	1.35	
120	176	11.79	3270	1.40	
139	151	10.15	3160	1.50	
155	135	9.07	3090	1.65	
176	119	8.01	3000	1.70	
182	116	7.76	2910	1.40	
203	104	6.96	2840	1.55	
235	89	6.00	2740	1.75	
250	84	5.64	2700	1.85	
291	72	4.85	2600	2.1	
325	65	4.34	2530	2.3	
368	57	3.83	2440	2.5	
121	174	23.28	3260	1.70	RESR47SS90-2P RESRF47SS90-2P
129	163	21.81	3220	1.85	
146	144	19.27	3130	2.1	
157	134	17.89	3080	2.2	
173	121	16.22	3010	2.3	
193	109	14.56	2930	2.4	
224	94	12.54	2830	2.7	
236	88	11.79	2780	2.8	
277	76	10.15	2680	3.0	
310	68	9.07	2600	3.2	
351	60	8.01	2510	3.4	
90	230	15.60	1070	0.85	RESR37SS100-4P RESRF37SS100-4P
106	198	13.25	1660	0.95	
119	176	11.83	1990	1.05	
140	151	10.11	2360	1.15	RESR37SS100-4P RESRF37SS100-4P
149	141	9.47	2480	1.20	
177	119	7.97	2750	1.30	
211	99	6.67	2470	1.45	
249	84	5.67	2570	1.70	
279	75	5.06	2500	1.80	
326	64	4.32	2410	1.95	
348	60	4.05	2370	2.0	
414	51	3.41	2270	2.2	
146	144	19.31	2440	1.4	
156	135	18.05	2560	1.5	
180	117	15.60	2780	1.7	
212	99	13.25	2700	1.9	RESR37SS90-2P RESRF37SS90-2P
237	89	11.83	2630	2.1	
278	76	10.11	2540	2.3	
297	71	9.47	2500	2.4	
352	60	7.97	2390	2.6	

输出转速 Output speed n_2 [r/min]	输出转矩 Output torque T_2 [N·m]	传动比 Ratio i	出轴许用 径向负载 Permitted overhung load F_{ra}^{II} [N]	使用 系数 Service factor f_s	型号 Model	
2.2kW						
421	50	6.67	2260	2.9	RESR37SS90-2P RESRF37SS90-2P	
496	42	5.67	2170	3.4		
555	38	5.06	2100	3.6		
650	32	4.32	2010	3.9		
694	30	4.05	1980	4.0		
824	26	3.41	1880	4.4		
3.0kW						
60	480	23.44	8730	1.15	RESR67SS100-4P RESRF67SS100-4P	
70	405	19.89	8420	1.45		
78	365	17.95	8230	1.60		
89	325	15.79	7980	1.75		
94	305	14.91	7860	1.80		
110	260	12.70	7550	2.0		
121	235	11.54	7380	2.1		
140	205	10.00	7090	2.3		
52	550	26.97	4330	0.80		RESR57SS100-4P RESRF57SS100-4P
64	450	21.93	4380	1.00		
75	380	18.60	4300	1.20		
83	345	16.79	4250	1.30	RESR57SS100-4P RESRF57SS100-4P	
95	300	14.77	4160	1.45		
100	285	13.95	4130	1.50		
118	245	11.88	4010	1.65		
130	220	10.79	3940	1.75		
150	191	9.35	3820	1.95	RESR57SS100-4P RESRF57SS100-4P	
155	185	9.06	3810	2.0		
178	163	7.97	3700	2.2		
186	154	7.53	3650	2.3		
218	131	6.41	3620	2.6		
240	119	5.82	3430	2.7		
277	103	5.05	3310	3.0		
319	90	4.39	3190	3.1		
128	225	21.93	3950	2.0		RESR57SS100-2P RESRF57SS100-2P
151	190	18.60	3820	2.4		
167	172	16.79	3730	2.6		
190	151	14.77	3620	2.9		
201	143	13.95	3670	3.0		
236	122	11.88	3440	3.3		
259	110	10.79	3360	3.5		
86	330	16.22	2030	0.85	RESR47SS100-4P RESRF47SS100-4P	
96	300	14.56	2500	0.90		
112	255	12.54	3040	0.95		
119	240	11.79	3040	1.00	RESR47SS100-4P RESRF47SS100-4P	
138	210	10.15	2970	1.10		
154	186	9.07	2910	1.20	RESR47SS100-4P RESRF47SS100-4P	
175	164	8.01	2840	1.25		
181	159	7.76	2740	1.05		





输出转速 Output speed n_s [r/min]	输出转矩 Output torque T_s [N·m]	传动比 Ratio i	出轴许用 径向负载 Permitted overhung load F_{ra}'' [N]	使用 系数 Service factor f_s	型 号 Model
3.0kW					
201	143	6.96	2680	1.10	RESR47SS100-4P RESRF47SS100-4P
233	123	6.00	2610	1.25	
248	115	5.64	2580	1.35	
288	99	4.85	2490	1.50	
323	89	4.34	2430	1.65	
365	78	3.83	2360	1.85	
237	121	11.79	2670	2.0	RESR47SS100-2P RESRF47SS100-2P
276	104	10.15	2580	2.2	
309	93	9.07	2610	2.4	
349	82	8.01	2430	2.6	
361	79	7.76	2370	2.1	
402	71	6.96	2310	2.2	
467	61	6.00	2220	2.5	
496	58	5.64	2190	2.7	
577	50	4.85	2100	3.0	
646	44	4.34	2040	3.3	
731	39	3.83	1970	3.7	
139	205	10.11	780	0.80	RESR37SS100-4P RESRF37SS100-4P
148	194	9.47	1010	0.85	
176	163	7.97	1510	0.95	
210	137	6.67	1250	1.05	RESR37SS100-4P RESRF37SS100-4P
247	116	5.67	1630	1.25	
277	104	5.06	1830	1.30	
324	88	4.32	2070	1.45	
346	83	4.05	2140	1.45	
411	70	3.41	2180	1.60	
277	103	10.11	2340	1.65	
296	97	9.47	2380	1.70	
351	82	7.97	2290	1.90	
420	68	6.67	2170	2.1	
494	58	5.67	2090	2.5	
553	52	5.06	2030	2.6	
648	44	4.32	1950	2.9	
692	41	4.05	1920	3.0	
821	35	3.41	1840	3.2	
4.0kW					
71	535	19.89	7960	1.10	RESR67SS112-4P RESRF67SS112-4P
79	485	17.95	7800	1.20	
90	425	15.79	7600	1.30	
95	400	14.91	7510	1.35	
112	340	12.70	7240	1.50	
123	310	11.54	7080	1.60	
142	270	10.00	6840	1.75	
163	235	8.70	6600	1.90	
182	210	7.79	6440	1.80	
193	198	7.36	6340	1.85	
227	169	6.27	6070	1.95	
249	153	5.70	5920	2.0	

输出转速 Output speed n_s [r/min]	输出转矩 Output torque T_s [N·m]	传动比 Ratio i	出轴许用 径向负载 Permitted overhung load F_{ra}'' [N]	使用 系数 Service factor f_s	型 号 Model
4.0kW					
288	133	4.93	5680	2.2	RESR67SS112-4P
331	116	4.29	5460	2.3	RESRF67SS112-4P
76	500	18.60	3520	0.90	RESR57SS112-4P
85	450	16.79	3830	1.00	RESRF57SS112-4P
96	395	14.77	3800	1.10	
102	375	13.95	3780	1.15	RESR57SS112-4P RESRF57SS112-4P
120	320	11.88	3710	1.25	
132	290	10.79	3660	1.35	
152	250	9.35	3580	1.45	
157	245	9.06	3590	1.55	
178	215	7.97	3500	1.65	
189	205	7.53	3470	1.75	
222	172	6.41	3350	1.95	
244	157	5.82	3280	2.0	
281	136	5.05	3180	2.3	
323	118	4.39	3070	2.4	
140	275	10.15	1960	0.85	RESR47SS112-4P
157	245	9.07	2350	0.90	RESRF47SS112-4P
177	215	8.01	2640	0.95	RESR47SS112-4P RESRF47SS112-4P
204	187	6.96	2480	0.85	
237	161	6.00	2430	0.95	
252	152	5.64	2410	1.00	
293	131	4.85	2350	1.15	
327	117	4.34	2300	1.25	
371	103	3.83	2250	1.40	
176	215	16.22	2640	1.25	RESR47SS112-2P RESRF47SS112-2P
196	195	14.56	2600	1.35	
228	168	12.54	2540	1.50	
242	158	11.79	2510	1.55	
282	136	10.15	2440	1.70	
315	121	9.07	2390	1.80	
357	107	8.01	2320	1.90	
399	104	7.76	2250	1.55	
411	93	6.96	2200	1.70	
477	80	6.00	2130	1.95	
507	75	5.64	2100	2.1	
589	65	4.85	2020	2.3	
660	58	4.34	1970	2.5	
746	51	3.83	1910	2.8	
5.5kW					
91	580	15.79	6610	0.95	RESR67SS132-4P RESRF67SS132-4P
96	550	14.91	6900	1.00	
113	485	12.70	6810	1.10	
124	425	11.54	6690	1.20	
143	365	10.00	6500	1.30	
164	320	8.70	6310	1.40	
183	285	7.79	6180	1.35	
194	270	7.36	6100	1.35	

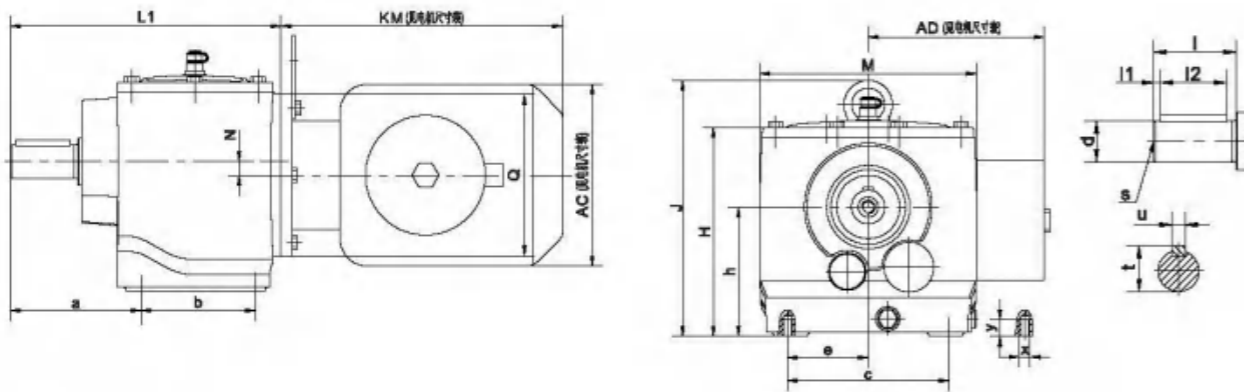
输出转速 Output speed n_s [r/min]	输出转矩 Output torque T_s [N·m]	传动比 Ratio i	出轴许用 径向负载 Permitted overhung load F_{ra}'' [N]	使用 系数 Service factor f_s	型 号 Model
5.5kW					
228	230	6.27	5860	1.45	RESR67SS132-4P RESRF67SS132-4P
251	210	5.70	5720	1.50	
290	181	4.93	5510	1.60	
333	158	4.29	5310	1.70	
331	159	8.70	5300	2.8	RESR67SS132-2P RESRF67SS132-2P
369	142	7.79	5160	2.7	
391	134	7.36	5080	2.8	
460	114	6.27	4860	2.9	
506	104	5.70	4730	3.0	
584	90	4.93	4540	3.2	
671	78	4.29	4350	3.5	
97	545	14.77	1730	0.80	RESR57SS132-4P RESRF57SS132-4P
103	510	13.95	2070	0.85	
120	435	11.88	2900	0.95	
132	395	10.79	3270	1.00	
153	345	9.35	3240	1.10	RESR57SS132-4P RESRF57SS132-4P
179	295	7.97	3220	1.20	
190	275	7.53	3200	1.25	
223	235	6.41	3120	1.40	
246	215	5.82	3080	1.50	
283	185	5.05	3000	1.65	
326	161	4.39	2920	1.75	
308	171	9.35	2930	2.2	RESR57SS132-2P RESRF57SS132-2P
361	145	7.97	2850	2.4	
383	137	7.53	2820	2.6	
449	117	6.41	2720	2.9	
494	106	5.82	2660	3.0	
571	92	5.05	2580	3.3	
656	80	4.39	2470	3.5	
295	178	4.85	1870	0.85	RESR47SS132-4P RESRF47SS132-4P
330	159	4.34	2110	0.90	
373	141	3.83	2080	1.00	
230	230	12.54	1730	1.10	RESR47SS132-2P RESRF47SS132-2P
244	215	11.79	1910	1.15	
284	185	10.15	2250	1.25	
318	165	9.07	2220	1.35	
359	146	8.01	2170	1.40	
480	109	6.00	2000	1.45	
511	103	5.64	1970	1.50	
593	89	4.85	1920	1.70	
664	79	4.34	1870	1.85	
752	70	3.83	1820	2.1	
7.5kW					
113	635	12.70	4240	0.80	RESR67SS132-4P RESRF67SS132-4P
124	580	11.54	4860	0.85	
143	500	10.00	5620	0.95	
164	435	8.70	5930	1.00	
183	390	7.79	5500	0.95	

输出转速 Output speed n_s [r/min]	输出转矩 Output torque T_s [N·m]	传动比 Ratio i	出轴许用 径向负载 Permitted overhung load F_{ra}'' [N]	使用 系数 Service factor f_s	型 号 Model
7.5kW					
194	370	7.36	5720	1.00	RESR67SS132-4P RESRF67SS132-4P
228	315	6.27	5600	1.05	
251	285	5.70	5480	1.10	
290	245	4.93	5300	1.15	
333	215	4.29	5130	1.25	RESR57SS132-4P RESRF57SS132-4P
179	400	7.97	980	0.90	
190	375	7.53	1280	0.95	
223	320	6.41	2020	1.05	
246	290	5.82	2380	1.10	RESR57SS132-4P RESRF57SS132-4P
283	255	5.05	2760	1.20	
326	220	4.39	2710	1.25	
198	365	14.77	2580	1.20	
208	345	13.95	2780	1.25	
244	295	11.88	2780	1.40	
269	265	10.79	2750	1.45	
310	230	9.35	2710	1.60	
364	197	7.97	2670	1.80	
385	186	7.53	2640	1.90	
452	158	6.41	2570	2.1	
498	144	5.82	2520	2.2	
575	125	5.05	2440	2.5	
660	108	4.39	2370	2.6	

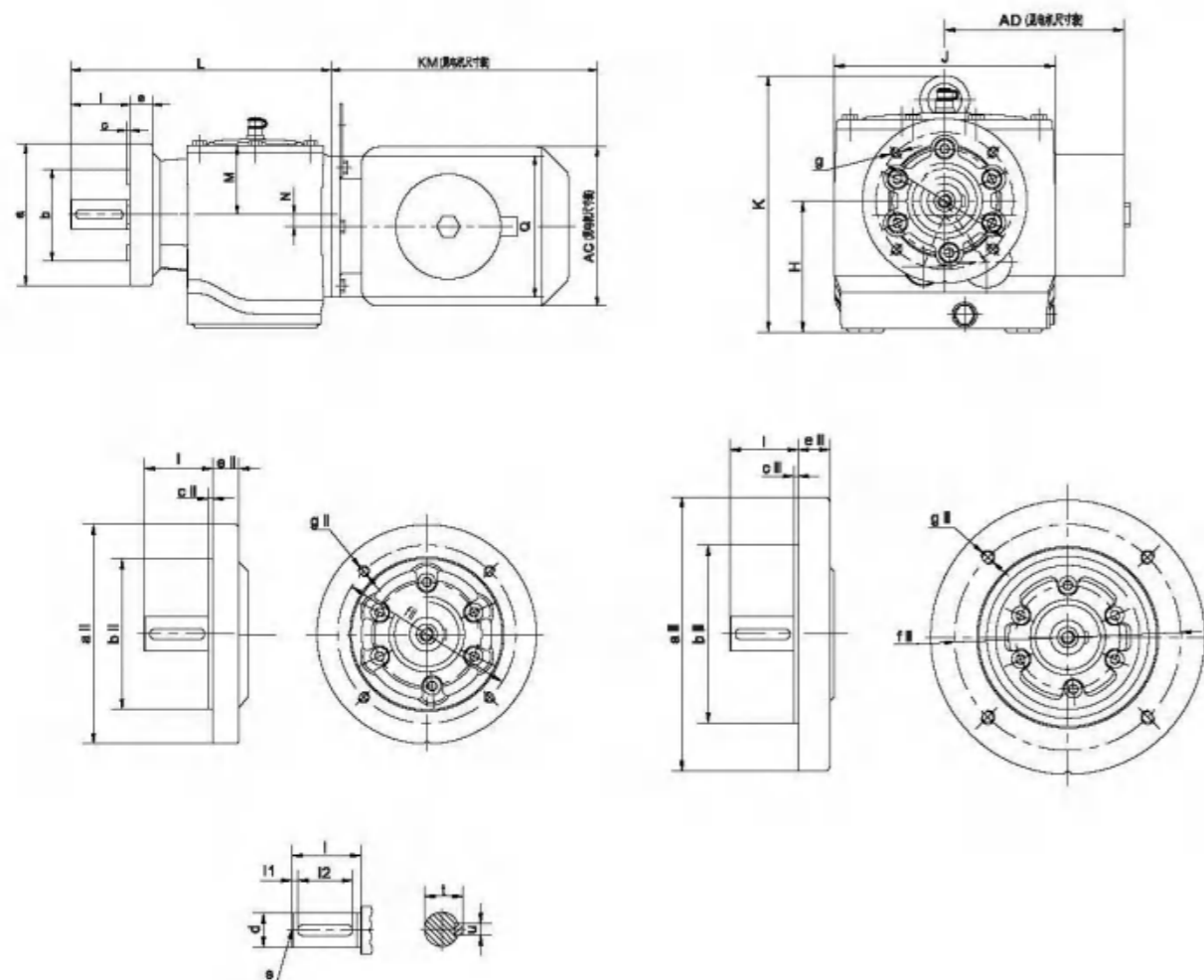


2.4 安装尺寸
Installation Dimensions

RESR37...~ RESR67..



RESRF37...~JRESRF67..

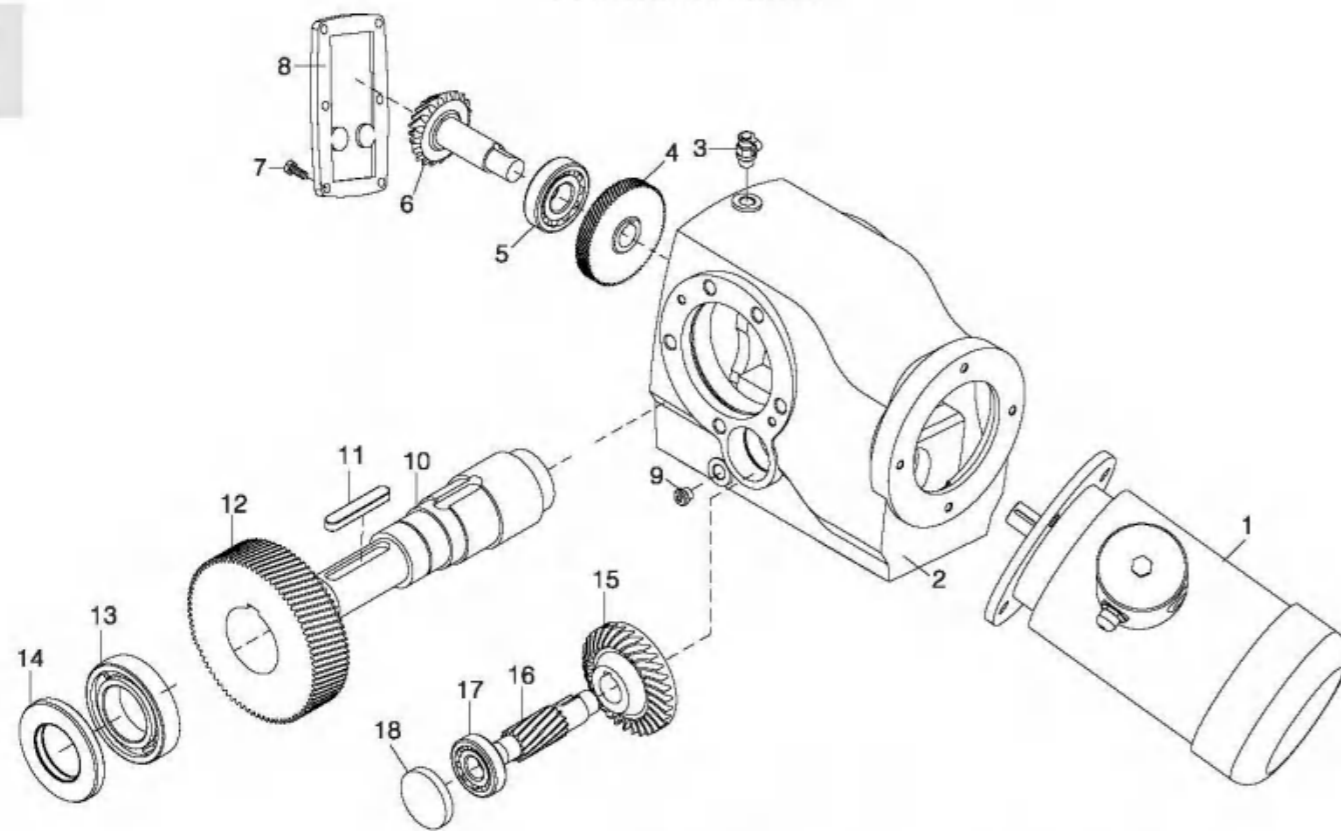


型号Model	a	c	h	N	Q	X	L1	轴伸尺寸Axial Extension				
	b	e	H					d	l	l1 l2	S	t
RESR37..	97	60	96	10.1	120	M8	201	25k6	50	3.5	M10	28
	85	120	155 178									
RESR47..	120	150	115	14	160	M10	235	30k6	60	3.5	M10	33
	97	75	187 220									
RESR57..	133	180	115	11.2	160	M10	257	35k6	70	7	M12	38
	95	90	187 223									
RESR67..	100	185	130	20.7	160	M12	280	35k6	70	7	M12	38
	110	92.5	212 243									

型号Model	a	b	c	e	f	g	H	J	Q	轴伸尺寸Axial Extension				
	a	b	c	e	f	g	K	L		d	l	l1 l2	S	t
RESRF37..	120	80j6	3	19	100	M8深12	96	162	120	25k6	50	4	M10	28
	160	110j6	3.5	19	130	M8深12	178	220						
	200	130j6	3.5	23	165	M10深15	59	10.1						
RESRF47..	140	95j6	3	19	115	M8深12	115	178	160	30k6	60	3.5	M10	33
	160	110j6	3.5	19	130	M8深12	220	250						
	200	130j6	3.5	23	165	M10深15	72	14						
RESRF57..	160	110j6	3.5	19	130	M8深12	115	215	160	35k6	70	7	M12	38
	200	130j6	3.5	23	165	M10深15	223	273						
	250	180j6	4	28	215	M12深18	72	11.2						
RESRF67..	200	130j6	3.5	23	165	M10深15	130	225	160	35k6	70	7	M12	38
	250	180j6	4	28	215	M12深18	243	296						
						M12深18	82	20.7						

3. RESK.. 不锈钢斜齿轮-伞齿轮减速电机 Stainless Steel Helical-Bevel Gear Motor

2.1 产品结构 Product structure



序号	名称	Name
1	不锈钢电机	Stainless Steel Motor
2	箱体	Housing
3	通气器	Breather
4	齿轮	Gear
5	轴承	Bearing
6	伞齿轮轴	Bevel Gear Shsft
7	螺栓	Bolt
8	视孔盖	Gearcase Cover
9	放油螺塞	Screw Plug
10	输出轴	Output Shaft
11	键	Key
12	齿轮	Gear
13	轴承	Bearing
14	油封	Seal
15	伞齿轮	Bevel Gear
16	齿轮轴	Gear Shaft
17	轴承	Bearing
18	密封端盖	Closing Cover.

3.2 型号说明 Model Description

RESK A 67 SS90-4P-1.5-76.37-B-180°

1 2 3 4 5 6 7 8 9

<p>1 产品代码 RESK-不锈钢斜齿轮-伞齿轮减速电机 Product code Resr- stainless steel helical gear reducer for food</p>	<p>2 装配型式 无代码-底脚安装 A-空心轴安装 Assembly type No code-foot mounting A-Hollow shaft mounting</p>	<p>3 减速机规格号 67-减速机规格号为67 Gear reducer Size Number 67-Gear Reducer Size Number 6</p>
<p>4 不锈钢电机规格代号 SS90-不锈钢电机规格号为90 Specification code for stainless steel motor SS90-stainless steel motor size number 90</p>	<p>5 电动机极数 4P-电动机极数为4 Motor pole number Motor pole number 4</p>	<p>6 电机功率 1.5-电机功率为1.5kW Power of Motor 1.5-Motor power 1.5kw</p>
<p>7 减速机传动比 76.37-减速机传动比为76.37 Gear ratio of speed reducer 76.37- Reducer transmission ratio is 76.37</p>	<p>8 轴指向 A-轴指向为A; B-轴指向为B; AB-双输出轴 Axis direction A- axis points to A; B- axis points to B; AB- double output axis</p>	<p>9 接线盒位置 无代码-安装型式图中0°位置 180°-安装型式图中180°位置 Junction box position No code-0° position in installation pattern diagram 180° - 180° position in the installation pattern diagram</p>

3.3 选型参数表
Parameter for Model Chosen

输出转速 Output speed n_s [r/min]	输出转矩 Output torque T_s [N·m]	传动比 Ratio i	出轴许用 径向负载 Permitted overhung load $F_{Ra}^{(1)}$ [N]	使用 系数 Service factor f_s	型号 Model
0.18kW					
6.0	285	144.79	13000	2.9	
7.0	245	123.54	13000	3.4	RESK67SS71-6P
8.1	215	108.03	13000	3.8	RESKA67SS71-6P
8.5	205	102.62	13000	4.0	
9.1	189	144.79	13000	4.3	
11	161	123.54	13000	5.1	RESK67SS63-4P
12	141	108.03	13000	5.8	RESKA67SS63-4P
0.25kW					
6.0	285	145.14	9340	2.1	
7.0	245	123.85	9480	2.5	
8.0	215	108.29	9590	2.8	RESK57SS71-6P
8.5	205	102.88	9620	3.0	RESKA57SS71-6P
9.6	178	90.26	9700	3.4	
9.1	189	145.14	9670	3.2	
11	161	123.85	9750	3.7	
12	141	108.29	9810	4.3	RESK57SS63-4P
13	134	102.88	9830	4.5	RESKA57SS63-4P
15	118	90.26	9880	5.1	
17	100	76.56	9920	6.0	
0.37kW					
6.6	260	131.87	7380	1.55	
7.2	240	121.48	7530	1.65	
8.3	205	104.37	7740	1.95	RESK47SS71-6P
9.6	180	90.86	7880	2.2	RESKA47SS71-6P
10	168	85.12	7930	2.4	
10	172	131.87	7910	2.3	
11	158	121.48	7970	2.5	
13	138	104.37	8080	2.9	RESK47SS71-4P
15	118	90.86	8120	3.4	RESKA47SS71-4P
16	111	85.12	8140	3.6	
0.55kW					
8.2	210	106.38	5520	0.95	
8.9	193	97.81	5710	1.05	RESK37SS71-6P
10	165	83.69	5990	1.20	RESKA37SS71-6P
12	143	72.54	6170	1.40	
12	139	106.38	6210	1.45	
14	127	97.81	6280	1.55	
16	109	83.69	6400	1.85	
18	95	72.54	6470	2.1	
19	88	67.80	6500	2.3	
23	76	58.60	6280	2.6	RESK37SS63-4P
27	65	49.79	6010	3.1	RESKA37SS63-4P
30	58	44.46	5830	3.5	
35	49	37.97	5580	4.1	
37	46	35.57	5480	4.3	
44	39	29.96	5220	5.1	
0.75kW					
46	38	28.83	5160	5.3	
53	33	24.99	4950	6.2	
57	30	23.36	4850	6.4	RESK37SS63-4P
65	26	20.19	4650	7.0	RESKA37SS63-4P
77	22	17.15	4430	8.1	
86	20	15.31	4280	8.8	

输出转速 Output speed n_s [r/min]	输出转矩 Output torque T_s [N·m]	传动比 Ratio i	出轴许用 径向负载 Permitted overhung load $F_{Ra}^{(1)}$ [N]	使用 系数 Service factor f_s	型号 Model
0.18kW					
101	17	13.08	4080	9.7	
109	16	12.14	3980	10	
126	14	10.49	3810	12	RESK37SS63-4P
148	12	8.91	3620	14	RESKA37SS63-4P
166	10	7.96	3490	15	
0.25kW					
6.1	395	144.79	12800	2.1	
7.1	335	123.54	13000	2.5	RESK67SS71-6P
8.1	295	108.03	13000	2.8	RESKA67SS71-6P
8.6	280	102.62	13000	3.0	
9.0	265	144.79	13000	3.1	
11	225	123.54	13000	3.6	RESK67SS71-4P
12	198	108.03	13000	4.1	RESKA67SS71-4P
13	189	102.62	13000	4.3	
0.37kW					
6.1	395	145.14	8910	1.50	
7.1	335	123.85	9150	1.80	
8.1	295	108.29	9310	2.0	RESK57SS71-6P
8.6	280	102.88	9360	2.2	RESKA57SS71-6P
9.8	245	90.26	9480	2.5	
11	210	76.56	9610	2.9	
0.55kW					
9.0	265	145.14	9410	2.2	
11	225	123.85	9540	2.8	
12	199	108.29	9640	3.0	RESK57SS71-4P
13	188	102.88	9670	3.2	RESKA57SS71-4P
14	168	90.26	9740	3.6	
17	141	76.56	9810	4.3	
0.75kW					
6.7	360	131.87	6470	1.10	
7.2	330	121.48	6780	1.20	
8.4	285	104.73	7210	1.40	RESK47SS71-6P
9.7	245	90.86	7480	1.60	RESKA47SS71-6P
10	230	85.12	7590	1.75	
1.1kW					
9.9	240	131.87	7510	1.65	
11	225	121.48	7640	1.80	
12	192	104.37	7820	2.1	RESK47SS71-4P
14	167	90.86	7930	2.4	RESKA47SS71-4P
15	156	85.12	7980	2.6	
1.5kW					
11	225	83.69	5300	0.90	
12	197	72.54	5680	1.00	
13	184	67.80	5810	1.10	RESK37SS71-6P
15	159	58.60	6050	1.25	RESKA37SS71-6P
18	135	49.79	6230	1.50	
2.2kW					
12	195	106.38	5690	1.00	
13	180	97.81	5860	1.10	
16	154	83.69	6090	1.30	RESK37SS71-4P
18	133	72.54	6250	1.50	RESKA37SS71-4P
19	125	67.80	6230	1.60	
22	108	58.60	6030	1.85	

输出转速 Output speed n_s [r/min]	输出转矩 Output torque T_s [N·m]	传动比 Ratio i	出轴许用 径向负载 Permitted overhung load $F_{Ra}^{(1)}$ [N]	使用 系数 Service factor f_s	型号 Model
0.25kW					
26	91	49.79	5810	2.2	
29	82	44.46	5650	2.5	
34	70	37.97	5430	2.9	
37	65	35.57	5340	3.1	
43	55	29.96	5100	3.6	
45	53	28.83	5050	3.8	
52	46	24.99	4860	4.4	RESK37SS71-4P
56	43	23.36	4770	4.6	RESKA37SS71-4P
64	37	20.19	4580	5.0	
78	32	17.15	4370	5.7	
85	28	15.31	4230	6.2	
99	24	13.08	4030	6.9	
107	22	12.14	3940	7.2	
124	19	10.49	3780	8.3	
148	16	8.91	3590	9.8	
163	15	7.96	3470	11	
191	13	6.80	3310	12	
204	12	6.37	3240	12	
0.37kW					
7.3	485	123.54	12500	1.70	
8.3	425	108.03	12700	1.95	RESK67SS80-6P
8.8	405	102.62	12800	2.0	RESKA67SS80-6P
10	355	90.04	13000	2.3	
0.55kW					
9.5	370	144.79	12900	2.2	
11	315	123.54	13000	2.6	RESK67SS71-4P
13	275	108.03	13000	3.0	RESKA67SS71-4P
15	230	90.04	13000	3.6	
18	196	76.37	13000	4.2	
0.75kW					
7.3	485	123.85	8480	1.25	
8.3	425	108.29	8770	1.40	
8.8	405	102.88	8870	1.50	RESK57SS80-6P
10	355	90.26	9070	1.70	RESKA57SS80-6P
12	300	76.56	9280	2.0	
13	270	69.12	9390	2.2	
1.1kW					
9.5	370	145.14	9000	1.60	
11	315	123.85	9220	1.90	
13	275	108.29	9370	2.2	
13	265	102.88	9420	2.3	RESK57SS71-4P
15	230	90.26	9530	2.6	RESKA57SS71-4P
18	196	76.56	9650	3.1	
20	177	69.12	9700	3.4	
1.5kW					
8.6	410	104.37	5490	1.00	
9.9	355	90.86	6480	1.10	RESK47SS80-6P
11	335	85.12	6730	1.20	RESKA47SS80-6P
12	295	75.20	7100	1.35	
2.2kW					
10	340	131.87	6690	1.20	
11	310	121.48	6960	1.30	RESK47SS71-4P
13	265	104.37	7330	1.50	RESKA47SS71-4P

输出转速 Output speed n_s [r/min]	输出转矩 Output torque T_s [N·m]	传动比 Ratio i	出轴许用 径向负载 Permitted overhung load $F_{Ra}^{(1)}$ [N]	使用 系数 Service factor f_s	型号 Model
0.37kW					
15	235	90.86	7580	1.70	
16	220	85.12	7670	1.85	
18	193	75.20	7810	2.1	RESK47SS71-4P
20	179	69.84	7880	2.2	RESKA47SS71-4P
22	162	63.30	7960	2.5	
0.55kW					
14	250	97.81	2520	0.80	
16	215	83.69	5470	0.95	
19	186	72.54	5690	1.10	
20	174	67.80	5630	1.15	
24	150	58.60	5510	1.35	
28	128	49.79	5350	1.55	
31	114	44.46	5230	1.75	
36	97	37.97	5060	2.1	
39	91	35.57	4990	2.2	
46	77	29.96	4800	2.6	
48	74	28.83	4750	2.7	
55	64	24.99	4590	3.1	
59	60	23.36	4510	3.3	RESK37SS71-4P
68	52	20.19	4350	3.6	RESKA37SS71-4P
80	44	17.15	4160	4.1	
90	39	15.31	4040	4.5	
105	34	13.08	3860	4.9	
114	31	12.14	3780	5.1	
132	27	10.49	3630	6.0	
155	23	8.91	3460	7.0	
173	20	7.96	3350	7.8	
203	17	6.80	3190	8.6	
217	16	6.37	3130	8.9	
257	14	5.36	2970	10	
0.75kW					
7.3	720	123.54	11100	1.15	
8.3	630	108.03			



输出转速 Output speed n_s [r/min]	输出转矩 Output torque T_s [N·m]	传动比 Ratio i	出轴许用 径向负载 Permitted overhung load F_{ra} [N]	使用 系数 Service factor f_s	型号 Model
0.55kW					
15	350	90.26	9100	1.70	RESK57SS80-4P RESKA57SS80-4P
18	295	78.56	9300	2.0	
20	265	69.12	9410	2.3	
22	235	80.81	9520	2.6	
24	220	57.42	9560	2.7	
13	405	104.37	5880	1.00	RESK47SS80-4P RESKA47SS80-4P
15	350	90.86	6550	1.15	
16	330	85.12	6790	1.20	
18	290	75.20	7150	1.40	
19	270	69.84	7310	1.50	RESK47SS80-4P RESKA47SS80-4P
21	245	63.30	7500	1.65	
24	220	56.83	7860	1.80	
28	189	48.95	7830	2.1	
30	178	46.03	7890	2.2	
23	225	58.60	4850	0.90	RESK37SS80-4P RESKA37SS80-4P
27	192	49.79	4790	1.05	
31	172	44.46	4740	1.15	
36	147	37.97	4640	1.35	
38	137	35.57	4600	1.45	
45	118	29.98	4470	1.75	
47	111	28.83	4440	1.80	
54	97	24.99	4320	2.1	
58	90	23.36	4280	2.2	
67	78	20.19	4130	2.4	
79	66	17.15	3980	2.7	
89	59	15.31	3880	3.0	
104	51	13.08	3730	3.3	
112	47	12.14	3660	3.4	
130	41	10.49	3520	4.0	
153	34	8.91	3370	4.7	
171	31	7.96	3270	5.1	
200	26	8.80	3130	5.7	RESK37SS80-4P RESKA37SS80-4P
214	25	8.37	3070	5.9	
254	21	5.36	2920	6.8	
342	15	3.98	2680	8.1	
0.75kW					
11	640	123.54	11700	1.30	RESK87SS80-4P RESKA87SS80-4P
13	560	108.03	12100	1.45	
15	465	90.04	12600	1.75	
18	395	76.37	12800	2.1	RESK67SS80-4P RESKA67SS80-4P
20	360	68.95	13000	2.3	
23	315	60.66	13000	2.6	
24	295	57.28	13000	2.8	
11	845	123.85	7130	0.95	
13	560	108.29	7940	1.05	
13	535	102.68	8160	1.10	
15	470	90.28	8570	1.30	
18	395	76.66	8890	1.50	
20	360	69.12	9060	1.65	
23	315	60.81	9230	1.90	

输出转速 Output speed n_s [r/min]	输出转矩 Output torque T_s [N·m]	传动比 Ratio i	出轴许用 径向负载 Permitted overhung load F_{ra} [N]	使用 系数 Service factor f_s	型号 Model	
0.75kW						
24	300	57.42	9290	2.0	RESK57SS80-4P RESKA57SS80-4P	
28	255	48.89	9450	2.4		
31	230	44.43	9530	2.6		
18	390	75.20	8060	1.00	RESK47SS80-4P RESKA47SS80-4P	
20	365	69.84	6410	1.10		
22	330	63.30	6790	1.20		
24	295	56.83	7110	1.35	RESK47SS80-4P RESKA47SS80-4P	
28	255	48.95	7430	1.55		
30	240	46.03	7540	1.65		
35	205	39.61	7740	1.95		
39	184	35.39	7760	2.2		
44	162	31.30	7550	2.5		
31	230	44.46	4170	0.85		RESK37SS80-4P RESKA37SS80-4P
36	197	37.97	4150	1.00		
39	185	35.57	4140	1.10		
48	156	29.96	4080	1.30		
48	150	28.83	4060	1.35		
55	130	24.99	3990	1.55		
59	121	23.36	3950	1.60		
68	105	20.19	3860	1.75		
80	89	17.15	3750	2.0		
90	80	15.31	3670	2.2		
105	68	13.08	3550	2.4		
114	63	12.14	3500	2.5		
132	54	10.49	3380	2.9		
155	46	8.91	3250	3.5		
173	41	7.96	3160	3.8		
203	36	8.80	3030	4.3		
217	33	8.37	2980	4.4		
257	28	5.36	2840	5.0		
347	21	3.98	2620	6.0		
1.1kW						
13	810	108.03	10400	1.00	RESK67SS90-4P RESKA67SS90-4P	
14	770	102.62	10700	1.05		
16	675	90.04	11400	1.20		
18	575	78.37	12000	1.45		
20	515	68.95	12300	1.60		
23	455	60.66	12600	1.80	RESK67SS90-4P RESKA67SS90-4P	
24	430	57.28	12700	1.90		
29	365	48.77	12900	2.2		
32	335	44.32	13000	2.5		
36	290	38.39	13000	2.8		
16	675	90.26	7410	0.90		RESK57SS90-4P RESKA57SS90-4P
18	575	78.56	7840	1.05		
20	520	69.12	8280	1.15		
23	455	60.81	8630	1.30		
24	430	57.42	8750	1.40		
29	365	48.89	9020	1.65		
32	335	44.43	9160	1.80		

输出转速 Output speed n_s [r/min]	输出转矩 Output torque T_s [N·m]	传动比 Ratio i	出轴许用 径向负载 Permitted overhung load F_{ra} [N]	使用 系数 Service factor f_s	型号 Model	
1.1kW						
36	280	38.49	9390	2.1	RESK57SS90-4P RESKA57SS90-4P	
39	270	35.70	9400	2.2		
46	225	30.28	9540	2.6		
51	205	27.34	9510	2.9		
58	181	24.05	9220	3.3		
62	170	22.71	9090	3.5		
72	145	19.34	8720	4.0		
80	132	17.57	8510	4.2		
92	114	15.22	8180	4.7		
106	99	13.25	7880	5.1		
117	90	11.92	7570	4.6		
124	85	11.28	7450	4.9		
146	72	9.59	7120	5.6		
161	65	8.71	6930	6.0		
186	57	7.55	6650	6.5		
213	49	6.57	6380	7.0		
298	35	4.69	5770	8.5		
25	425	56.83	3310	0.95	RESK47SS90-4P RESKA47SS90-4P	
29	365	48.95	6360	1.10		
30	345	46.03	6610	1.15		
35	295	39.61	7090	1.35	RESK47SS90-4P RESKA47SS90-4P	
40	265	35.39	7090	1.50		
45	235	31.30	6960	1.70		
48	220	29.32	6890	1.80		
54	194	25.91	6730	2.1		
64	164	21.61	6510	2.4		
72	147	19.58	6360	2.7		
47	225	29.96	3420	0.90		RESK37SS90-4P RESKA37SS90-4P
56	188	24.99	3440	1.05		
60	175	23.36	3440	1.10		
69	152	20.19	3420	1.20		
82	129	17.15	3370	1.40		
91	115	15.31	3330	1.50		
107	98	13.08	3260	1.70		
115	91	12.14	3220	1.75		
133	79	10.49	3140	2.0	RESK37SS90-4P RESKA37SS90-4P	
157	67	8.91	3040	2.4		
176	60	7.96	2970	2.6		
206	51	6.80	2870	2.9		
220	48	6.37	2830	3.0		
261	40	5.36	2720	3.5		
352	30	3.98	2520	4.2		
1.5kW						
16	910	90.04	9370	0.90	RESK67SS90-4P RESKA67SS90-4P	
18	775	76.37	10700	1.05		
20	700	68.95	11300	1.15		
23	615	60.66	11800	1.35		
25	580	57.28	12000	1.40		
29	495	48.77	12400	1.65		
32	450	44.32	12600	1.80		
37	390	38.39	12800	2.1		
40	360	35.62	12900	2.3		

输出转速 Output speed n_s [r/min]	输出转矩 Output torque T_s [N·m]	传动比 Ratio i	出轴许用 径向负载 Permitted overhung load F_{ra} [N]	使用 系数 Service factor f_s	型号 Model	
1.5kW						
47	305	30.22	13000	2.7	RESK67SS90-4P RESKA67SS90-4P	
52	275	27.28	13000	3.0		
59	245	24.00	13000	3.3		
23	620	60.81	7480	0.95	RESK57SS90-4P RESKA57SS90-4P	
25	585	57.42	7770	1.05		
29	495	48.89	8430	1.20		
32	450	44.43	8650	1.35		
37	390	38.49	8920	1.55		
39	365	35.70	9040	1.65	RESK57SS90-4P RESKA57SS90-4P	
47	310	30.28	9190	1.95		
52	280	27.34	9010	2.2		
59	245	24.05	8780	2.5		
62	230	22.71	8670	2.6		
73	196	19.34	8360	2.9		
36	400	39.61	5890	1.00	RESK47SS90-4P RESKA47SS90-4P	
40	360	35.39	6360	1.10		
45	320	31.30	6310	1.25		
48	300	29.32	6270	1.35	RESK47SS90-4P RESKA47SS90-4P	
54	265	25.91	6190	1.50		
65	220	21.61	6050	1.80		
72	199	19.58	5950	2.0		
84	171	16.86	5800	2.2		
89	161	15.86	5730	2.4		
103	138	13.65	5560	2.6		
116	124	12.19	5430	2.8		
120	120	11.77	5340	2.9		
60	235	23.36	2860	0.80		RESK37SS90-4P RESKA37SS90-4P
70	205	20.19	2920	0.90		
82	174	17.15	2940	1.05		
92	156	15.31	2950	1.10		
108	133	13.08	2930	1.25		
116	123	12.14	2920	1.30		
134	107	10.49	2880	1.50		
156	91	8.91	2820	1.75		
177	81	7.96	2770	1.90		
207	69	6.80	2700	2.2		
221	65	6.37	2670	2.2		
263	55	5.36	2580	2.6		
354	40	3.98	2420	3.1		
2.2kW						
23	900	60.66	9490	0.90	RESK67SS100-4P RESKA67SS100-4P	
25	850	57.28	10000	0.95		
29	725	48.77	11100	1.15		
32	660	44.32	11500	1.25		
37	570	38.39	12100	1.40		
40	530	35.62	12300	1.55		
47	450	30.22	12600	1.80		
52	405	27.28	12800	2.0		
59	360	24.00	13000	2.2		
62	340	22.66	13000	2.3		
73	285	19.30	13000	2.6		

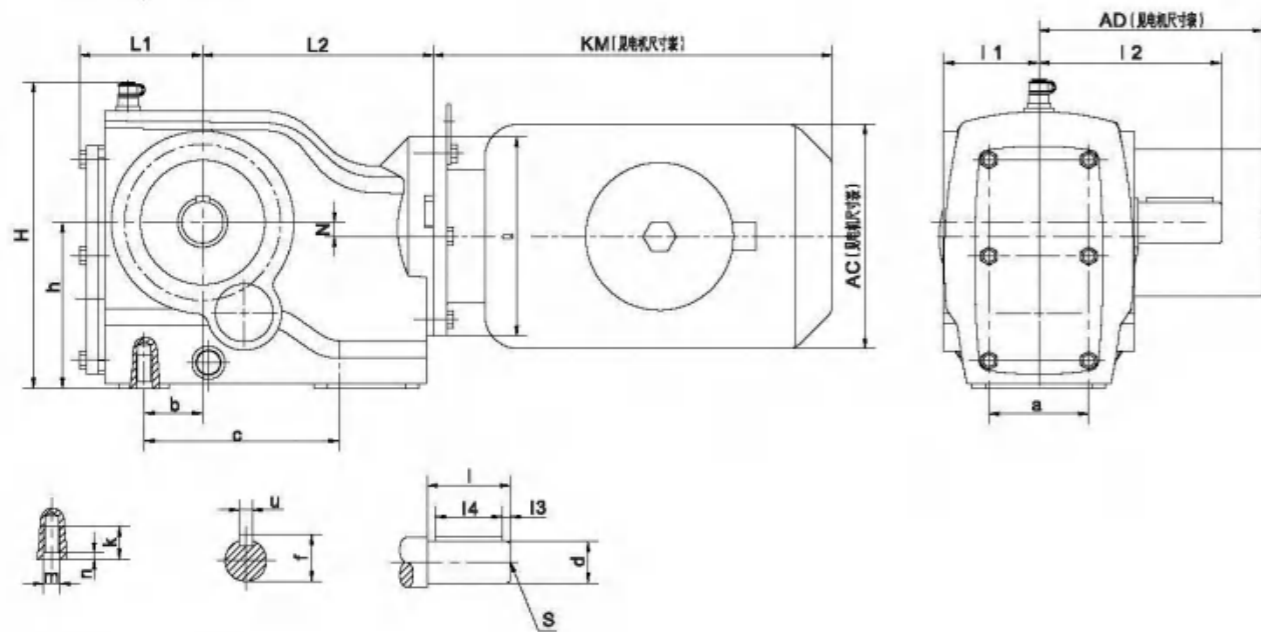
输出转速 Output speed n_2 [r/min]	输出转矩 Output torque T_2 [N·m]	传动比 Ratio i	出轴许用 径向负载 Permitted overhung load F_{ra} ¹⁾ [N]	使用 系数 Service factor f_s	型 号 Model	
2.2kW						
80	260	17.54	13000	2.8	RESK67SS100-4P RESKA67SS100-4P	
93	225	15.19	13000	3.1		
107	197	13.22	13000	3.4		
113	186	12.48	13000	2.9		
133	158	10.63	13000	3.2		
146	144	9.66	13000	3.3		
169	125	8.37	13000	3.5		
194	109	7.28	12700	3.9		
271	78	5.2	11700	4.5		
32	660	44.43	5100	0.90		RESK57SS100-4P RESKA57SS100-4P
37	575	38.49	7850	1.05		
39	530	35.70	8180	1.15		
47	450	30.28	8250	1.35		
52	406	27.34	8160	1.45	RESK57SS100-4P RESKA57SS100-4P	
59	360	24.05	8030	1.65		
62	340	22.71	7970	1.75		
73	290	19.34	7760	2.0		
80	260	17.57	7630	2.1		
93	225	15.22	7430	2.4		
106	197	13.25	7220	2.6		
118	178	11.92	6890	2.3		
125	168	11.26	6810	2.5		
54	385	25.91	5260	1.05		RESK47SS100-4P RESKA47SS100-4P
85	325	21.81	5260	1.25		
72	290	19.58	5240	1.35		
84	250	16.86	5190	1.50	RESK47SS100-4P RESKA47SS100-4P	
89	235	15.86	5160	1.60		
103	205	13.65	5070	1.75		
116	182	12.19	4990	1.95		
120	175	11.77	4890	1.60	RESK47SS100-4P RESKA47SS100-4P	
133	157	10.56	4810	1.80		
155	136	9.10	4690	2.1		
108	195	13.08	2370	0.85	RESK37SS100-4P RESKA37SS100-4P	
134	156	10.49	2430	1.00		
158	133	8.91	2440	1.20		
177	119	7.96	2430	1.30		
207	101	6.80	2410	1.50		
221	95	6.37	2400	1.55		
263	80	5.36	2350	1.75		
354	59	3.98	2250	2.1		
3.0kW						
32	910	44.32	9450	0.90		RESK67SS100-4P RESKA67SS100-4P
36	785	38.39	10900	1.00		
39	730	35.62	11100	1.15		
46	620	30.22	11800	1.35		
51	560	27.28	12100	1.45		
58	490	24.00	12500	1.65		
62	465	22.66	12600	1.70	RESK67SS100-4P RESKA67SS100-4P	
73	395	19.30	12900	1.95		
80	360	17.54	13000	2.1		
80	360	17.54	13000	2.1		

输出转速 Output speed n_2 [r/min]	输出转矩 Output torque T_2 [N·m]	传动比 Ratio i	出轴许用 径向负载 Permitted overhung load F_{ra} ¹⁾ [N]	使用 系数 Service factor f_s	型 号 Model	
3.0kW						
92	310	15.19	13000	2.3	RESK67SS100-4P RESKA67SS100-4P	
106	270	13.22	13000	2.5		
112	255	12.48	13000	2.1		
132	220	10.63	13000	2.3		
145	198	9.66	13000	2.4		
46	820	30.28	7180	0.95		RESK57SS100-4P RESKA57SS100-4P
51	560	27.34	7190	1.05		
58	490	24.05	7180	1.20		
62	465	22.71	7160	1.30		
72	395	19.34	7080	1.45	RESK57SS100-4P RESKA57SS100-4P	
80	360	17.57	7020	1.55		
92	310	15.22	6890	1.70		
106	270	13.25	6750	1.90		
117	245	11.92	6420	1.70		
124	230	11.26	6370	1.80		
146	196	9.59	6200	2.1		
161	178	8.71	6090	2.2		
186	154	7.55	5920	2.4		
213	134	6.57	5750	2.6		
298	96	4.69	5320	3.1		
72	400	19.58	4430	1.00	RESK47SS100-4P RESKA47SS100-4P	
83	345	16.86	4490	1.10		
88	325	15.86	4500	1.15		
103	280	13.65	4510	1.30		
115	250	12.19	4490	1.40		
119	240	11.77	4370	1.15		
133	215	10.56	4350	1.30		
154	186	9.10	4290	1.50	RESK47SS100-4P RESKA47SS100-4P	
184	175	8.56	4270	1.55		
190	151	7.36	4190	1.65		
213	135	6.58	4120	1.80		
241	119	5.81	4030	1.95		
302	95	4.64	3860	2.2		
157	182	8.91	2000	0.90		RESK37SS100-4P RESKA37SS100-4P
176	163	7.96	2040	0.95		
206	139	6.80	2080	1.10		
220	130	6.37	2080	1.10		
261	110	5.36	2090	1.30		
352	81	3.98	2050	1.55		
4.0kW						
47	810	30.22	10400	1.00	RESK67SS112-4P RESKA67SS112-4P	
52	735	27.28	11000	1.10		
59	645	24.00	11600	1.25		
63	610	22.66	11800	1.30	RESK67SS112-4P RESKA67SS112-4P	
74	520	19.30	12300	1.45		
81	470	17.54	12500	1.55		
94	410	15.19	12800	1.70		
107	355	13.22	13000	1.90		
114	335	12.48	13000	1.60		
134	285	10.63	13000	1.75		
147	260	9.66	12900	1.85		

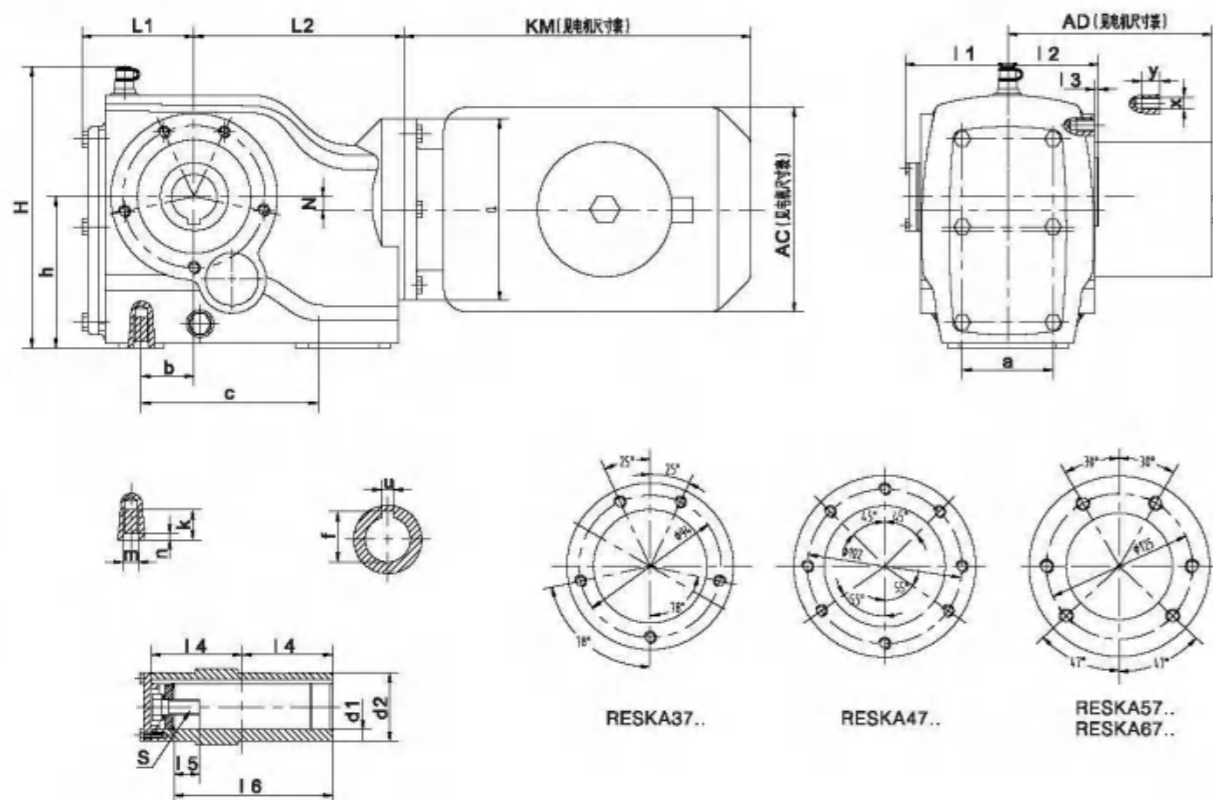
输出转速 Output speed n_2 [r/min]	输出转矩 Output torque T_2 [N·m]	传动比 Ratio i	出轴许用 径向负载 Permitted overhung load F_{ra} ¹⁾ [N]	使用 系数 Service factor f_s	型 号 Model
4.0kW					
170	225	8.37	12500	1.95	RESK67SS112-4P RESKA67SS112-4P
195	196	7.28	12100	2.1	
273	140	5.20	11200	2.5	
59	645	24.05	8120	0.95	RESK57SS112-4P RESKA57SS112-4P
63	610	22.71	8160	1.00	
73	520	19.34	8220	1.10	
81	475	17.57	8230	1.15	
93	410	15.22	8210	1.30	
107	355	13.25	8510	1.45	
119	320	11.92	8610	1.30	
126	305	11.26	8790	1.35	
148	260	9.59	8700	1.55	
163	235	8.71	8640	1.65	
188	205	7.55	8530	1.80	
216	177	6.57	8400	1.95	
303	126	4.69	8070	2.4	
5.5kW					
60	880	24.00	9720	0.90	RESK67SS132-4P RESKA67SS132-4P
63	830	22.66	10200	0.95	
74	710	19.30	11200	1.05	
82	645	17.54	11600	1.15	
94	560	15.19	12100	1.25	
108	485	13.22	12500	1.40	
115	460	12.48	12600	1.15	RESK67SS132-4P RESKA67SS132-4P
135	390	10.63	12400	1.30	
148	355	9.66	12200	1.35	
171	305	8.37	11900	1.45	
196	265	7.28	11600	1.55	
275	191	5.20	10800	1.85	

3.4 安装尺寸
Installation Dimensions

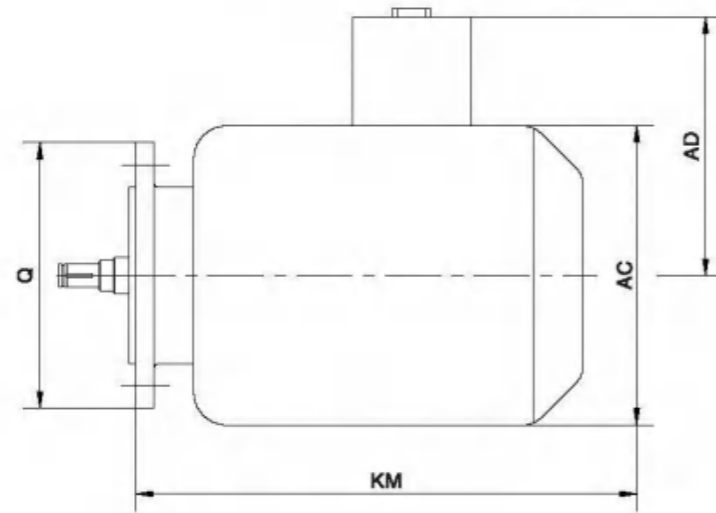
RESK37..~ RESK67..



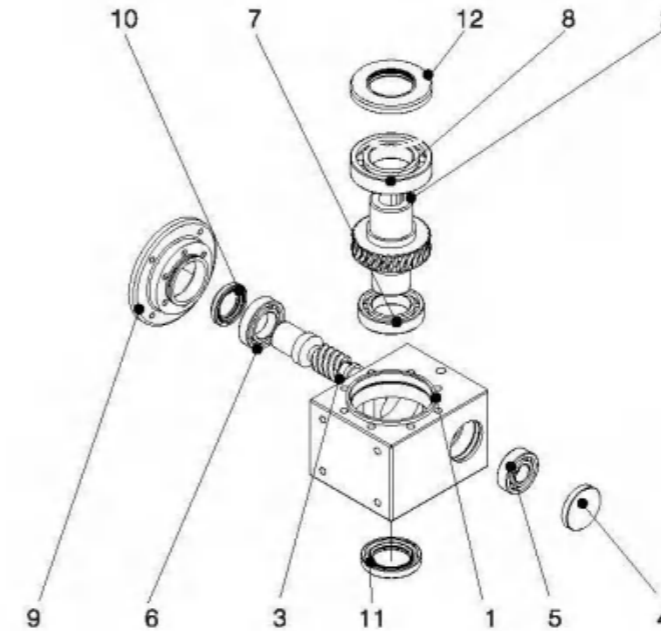
RESKA37..~ RESKA67..



型号Model	a b c	k m n	h H	N	Q	L1 L2	l1 l2	轴伸尺寸Axial Extension				
								d	l	i3 i4	S	t u
RESK37..	60 35 117	20 M10 4	100 187	8.5	120	75 139	57.5 110	25k6	50	5 40	M10	28 8
RESK47..	70 40 140	20 M10 4	112 205	7.2	160	77 166	72 135	30k6	60	3.5 50	M10	33 8
RESK57..	88 47 152	25 M12 5	132 235	13.1	160	96 173	80 153	35k6	70	7 56	M12	38 10
RESK67..	88 70 152	27 M12 5	140 246	20	160	95 179	86.5 171	35k6	70	5 70	M16	43 12
型号Model	a b c	k m n	h H	N Q	X Y	L1 L2	l1 l2 l3	轴伸尺寸Axial Extension				
RESKA37..	60 35 117	20 M10 4	100 187	8.5	M8 12	75 139	68 60 2.5	30H7 45	17	60 105	M10	33.3 8
RESKA47..	70 40 140	20 M10 4	112 205	7.2	M8 12	77 166	82 75 3	35H7 50	22	75 132	M12	38.3 10
RESKA57..	88 47 152	25 M12 5	132 235	13.1	M12 20	96 173	91 83 3	40H7 55	29	83 142	M16	43.3 12
RESKA67..	88 70 152	27 M12 5	140 246	20	M12 20	95 179	98 90 3.5	40H7 55	29	90 156	M16	43.3 12

3.5 电机尺寸表
The Size of Motor

型号Model	Q	KM	AC	AD
SS63	120	具体咨询ANG	114	117
	160			
SS71	120		134	129
	160			
	200			
SS80	120		144	135
	160			
	200			
	250			
SS90	120		176	147
	160			
	200			
	250			
	300			
SS100	120		203	169
	160			
	200			
	250			
	300			
	350			
SS112	160		218	174
	200			
	250			
	300			
	350			
SS132	160	256	192	
	200			
	250			
	300			
	350			

4. RESSD..不锈钢蜗杆减速电机
Stainless Steel Worm Gear Motor3.1 产品结构
Product structure

序号	名称	Name
1	箱体	Housing
2	蜗轮	Worm Wheel
3	蜗杆	Worm Shaft
4	密封端盖	Closing Cover
5	轴承	Bearing
6	轴承	Bearing
7	轴承	Bearing
8	轴承	Bearing
9	输入法兰	Input Flange
10	油封	Seal
11	油封	Seal
12	油封	Seal

3.2 型号说明
Model Description

RESS D 63 - 100 - E - 71B14

1 2 3 4 5 6

1 产品代码
RESS-不锈钢蜗轮蜗杆减速机
Product code
RESS- stainless steel worm gear
reducer for food

2 入轴连接方式D:
带电机法兰
Input shaft connecting mode D:
flange with motor

3 产品规格: 63,
以蜗轮副中心距表示
Product specification: 63,
Expressed as center distance
of worm gear pair

4 传动比: 100
Ratio:100

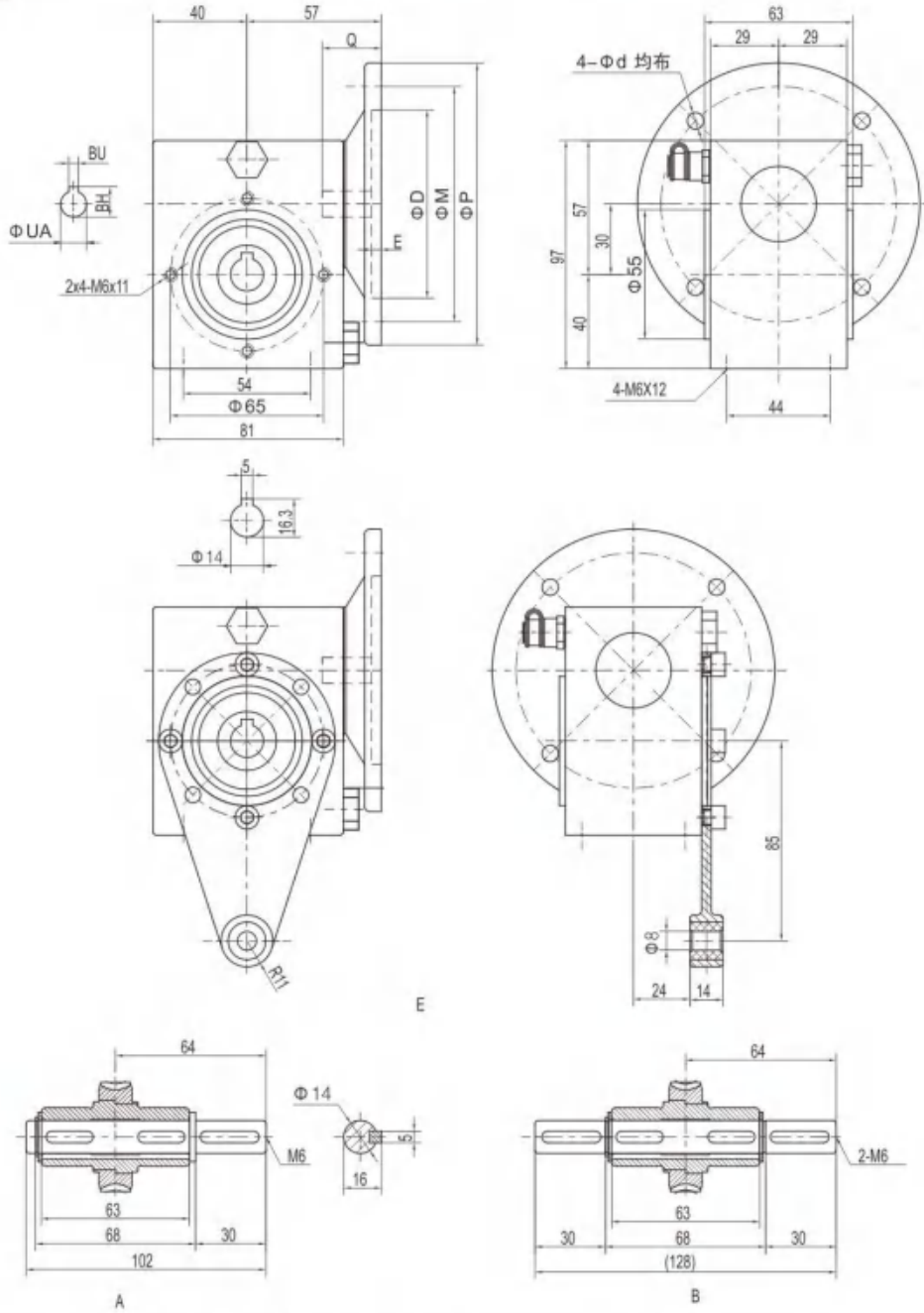
5 附件
A-单输出轴; B-双输出轴
E-带扭力臂, 无代码; 不带扭力臂
Accessory
A-Single output shaft
B-Double output shaft
E-With torsion arm, no code;
no torsion arm

6 法兰规格
71-与之匹配电机机座号
B5、B14-电机法兰结构
Flange Specification
71-Matching motor size number
B5、B14- flange structure of motor

输出转速 Output speed r/min	输出扭矩 Output torque Nm	传动比 Transmission ratio i	输出轴径 Output radial force kN	使用系数 fs	机型代号 Model code	对应公制 电机机座 Motor	机型代号 Model code	对应英制 机座 NEMA C input
0.55kW								
56	71	25	2.69	1.0	RESSD50	80B5/ 80B14	RESND50	56C
46.7	81	30	2.86	1.0				
35	80	40	3.15	0.9				
70	60	20	3.27	2.2	RESSD63	80B5/ 80B14	RESND63	56C
56	73	25	3.52	1.8				
46.7	83	30	3.74	1.9				
35	105	40	4.12	1.4				
28	124	50	4.44	1.1				
23.3	140	60	4.71	0.9				
0.75kW								
186.7	34	7.5	1.8	2.1	RESSD50	80B5/ 80B14	RESND50	56C
140	44	10	1.98	1.6				
93.3	63	15	2.27	1.2				
70	81	20	2.5	0.9	RESSD63	80B5/ 80B14	RESND63	56C
93.3	63	15	2.97	2.2				
70	83	20	3.27	1.6				
56	100	25	3.52	1.3				
46.7	114	30	3.74	1.4				
35	143	40	4.12	1.0				
56	102	25	4.16	2.0	RESSD75	80B5/ 80B14	RESND75	140TC
46.7	117	30	4.42	2.0				
35	147	40	4.86	1.5				
28	177	50	5.24	1.2	RESSD90	80B5/ 80B14	RESND50	140TC
23.3	200	60	5.56	1.0				
28	184	50	5.79	1.8				
23.3	212	60	6.16	1.5	RESSD90	80B5/ 80B14	RESND50	140TC
17.5	258	80	6.78	1.1				
14	302	100	7.3	0.9				
1.1kW								
186.7	49	7.5	2.35	2.6	RESSD63	90B5/ 90B14	RESND63	56C/ 140TC
140	65	10	2.59	2.0				
93.3	93	15	2.97	1.5				
70	122	20	3.27	1.1				
56	146	25	3.52	0.9				
46.7	167	30	3.74	1.0				
35	165	40	3.59	0.9	RESSD75	90B5/ 90B14	RESND75	56C/ 140TC
93.3	95	15	3.5	2.1				
70	123	20	3.86	1.7				
56	150	25	4.16	1.3				
46.7	171	30	4.42	1.3				
35	216	40	4.86	1.0				
28	264	50	4.6	0.9	RESSD90	90B5/ 90B14	RESND90	56C/ 140TC
23.3	223	60	4.89	0.8				
35	225	40	5.38	1.6				
28	270	50	5.79	1.3	RESSD90	90B5/ 90B14	RESND90	56C/ 140TC
23.3	311	60	6.16	1.0				
17.5	328	80	6.17	0.9				
1.5kW								
186.7	67	7.5	2.35	1.9	RESSD63	90B5/ 90B14	RESND63	140TC
140	89	10	2.59	1.5				
93.3	127	15	2.97	1.1				
70	166	20	3.27	0.8	RESSD75	90B5/ 90B14	RESND75	140TC
140	90	10	3.06	2.2				
93.3	130	15	3.5	1.5				
70	168	20	3.86	1.3				
56	205	25	4.16	1.0				
46.7	233	30	4.42	1.0				
1.5kW								
70	171	20	4.27	2.1	RESSD90	90B5/ 90B14	RESND90	140TC
56	210	25	4.6	1.6				
46.7	239	30	4.89	1.7				
35	307	40	5.38	1.2				
28	368	50	5.79	0.9				
23.3	424	60	6.16	0.8				
2.2kW								
186.7	100	7.5	2.78	1.8	RESSD75	100B5/ 100B14	RESND75	180TC
140	132	10	3.06	1.5				
93.3	191	15	3.5	1.0				
70	240	20	3.38	0.9				
56	256	25	3.58	0.8				
46.7	269	30	3.89	0.8	RESSD90	100B5/ 100B14	RESND90	180TC
186.7	101	7.5	3.08	2.9				
140	134	10	3.39	2.3				
93.3	194	15	3.88	1.9				
70	252	20	4.27	1.4				
56	308	25	4.6	1.1				
46.7	351	30	4.89	1.2				
35	433	40	4.9	1.0				
28	393	50	5.28	0.9				
3kW								
186.7	136	7.5	2.78	1.4	RESSD75	112B5/ 112B14	RESND75	180TC
140	180	10	3.06	1.1				
93.3	261	15	3.5	0.8				
186.7	138	7.5	3.08	2.1	RESSD90	112B5/ 112B14	RESND90	180TC
140	182	10	3.39	1.7				
93.3	264	15	3.88	1.4				
70	344	20	4.27	1.0				
56	420	25	4.6	0.8				
46.7	479	30	4.89	0.9				
4kW								
186.7	182	7.5	2.44	1.0	RESSD75	112B5/ 112B14	RESND75	180TC
140	240	10	3.06	0.8				
186.7	184	7.5	3.08	1.6	RESSD90	112B5/ 112B14	RESND90	140TC
140	243	10	3.39	1.3				
93.3	352	15	3.88	1.0				
70	458	20	4.27	0.8				

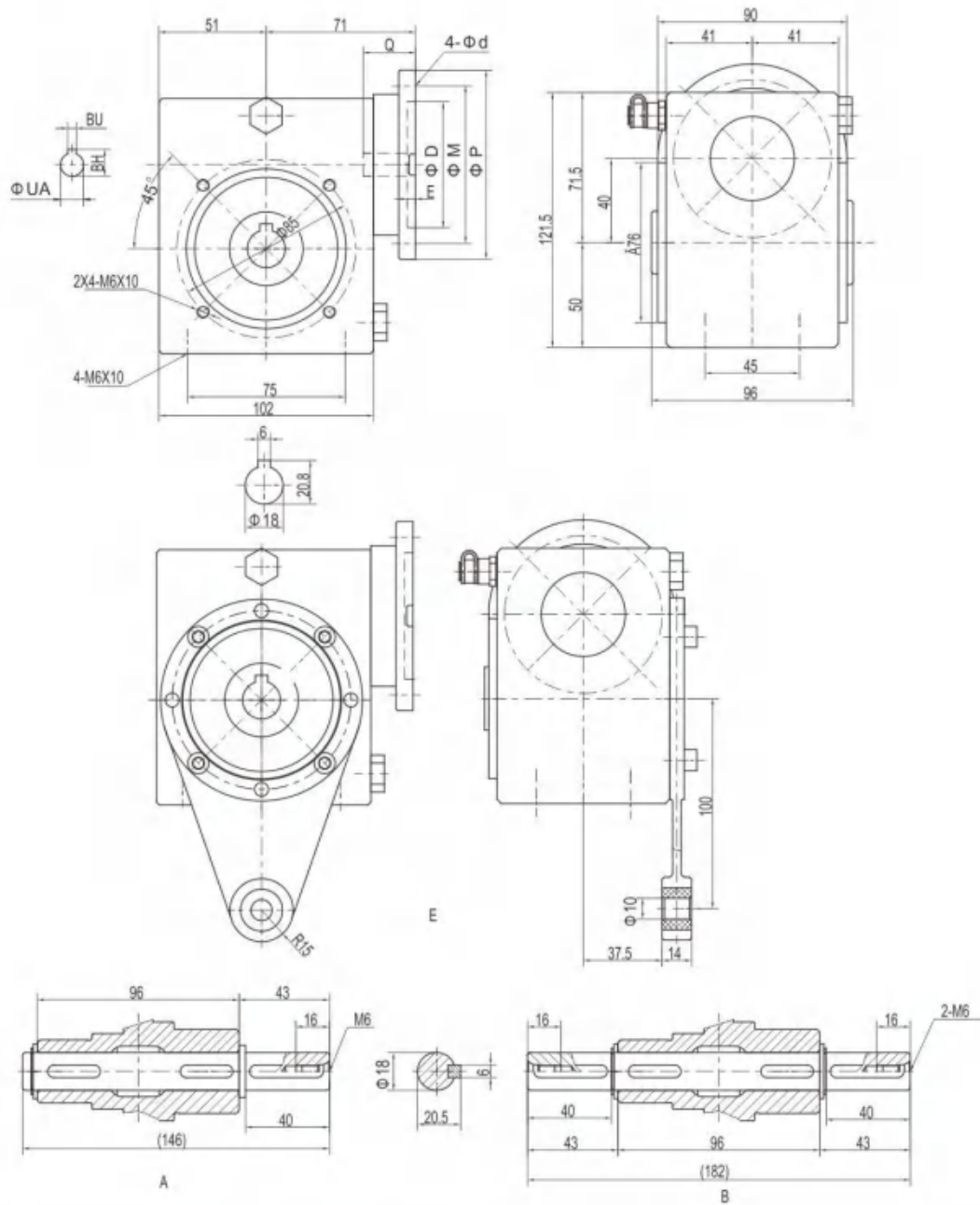
3. 安装尺寸 Installation Dimensions

RESSD30



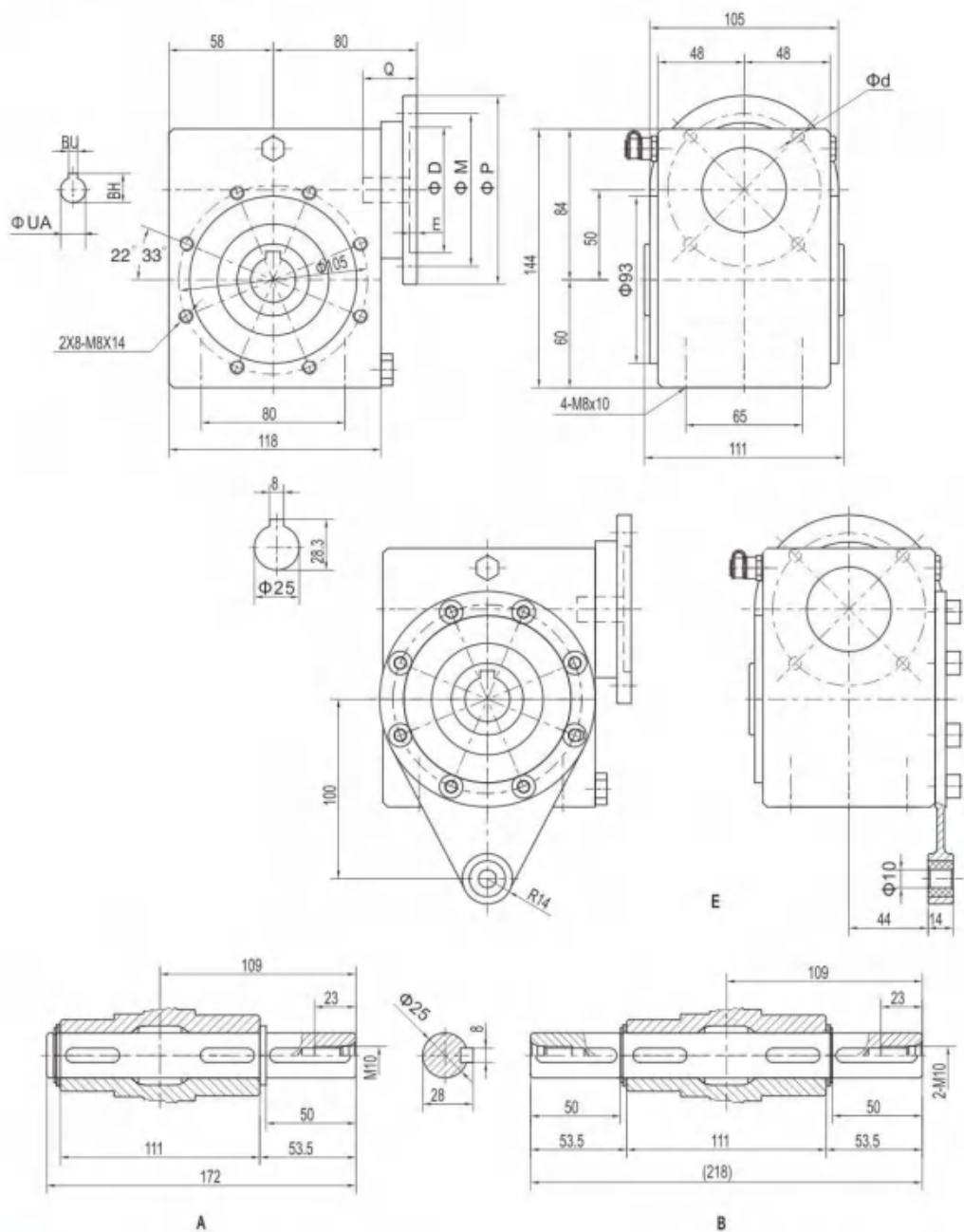
代号 Model 法兰规格 Flange Specification	D	M	P	d	BH	BU	E	Q	输入孔径 Input Aperture UA										
									速比 Ratio i										
									7.5	10	15	20	25	30	40	50	60	80	100
63B5	95	115	140	9	12.8	4	5	23	11	11	11	11	11	11	11	11	-	-	-
63B14	60	75	90	6	12.8	4	3.5	23	9	9	9	9	9	9	9	9	9	9	9
56B5	80	100	120	7	10.4	3	4	19	9	9	9	9	9	9	9	9	9	9	9
56B14	50	65	80	6	10.4	3	3.5	19	9	9	9	9	9	9	9	9	9	9	9

RESSD40..



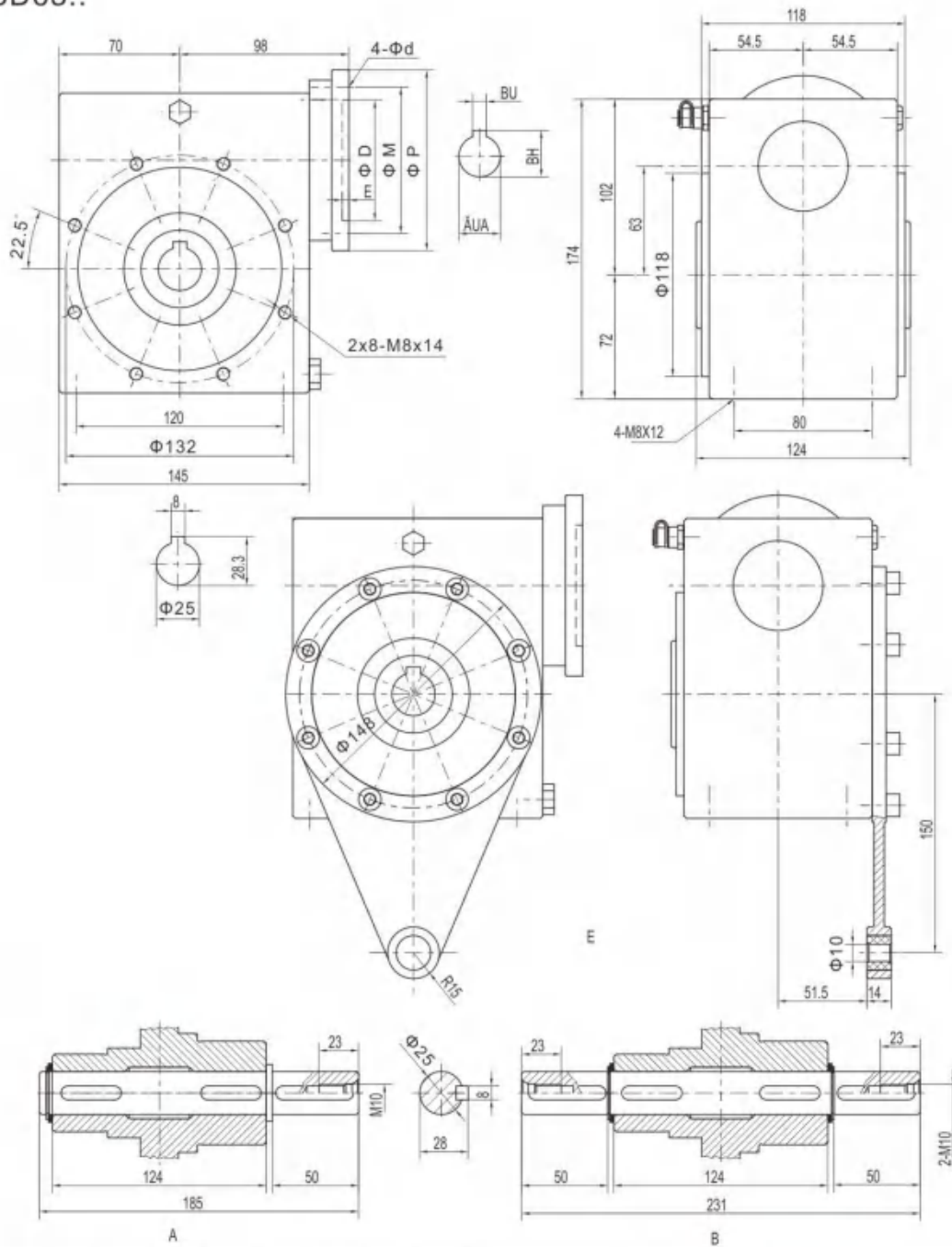
代号 Model 法兰规格 Flange Specification	D	M	P	d	BH	BU	E	Q	输入孔径Input Aperture UA										
									速比Ratio i										
									7.5	10	15	20	25	30	40	50	60	80	100
71B5	110	130	160	9	16.3	5	5	30	14	14	14	14	14	14	14	-	-	-	-
71B14	70	85	105	6.6	16.3	5	4	30	-	-	-	-	-	-	-	-	-	-	
63B5	95	115	140	9	12.8	4	5	23	-	-	-	11	11	11	11	11	11	11	-
63B14	60	75	90	5.5	12.8	4	4	23	-	-	-	-	-	-	-	9	9	9	9
56B5	80	100	120	6.6	10.4	3	4	19	-	-	-	-	-	-	-	9	9	9	9

RESSD50..



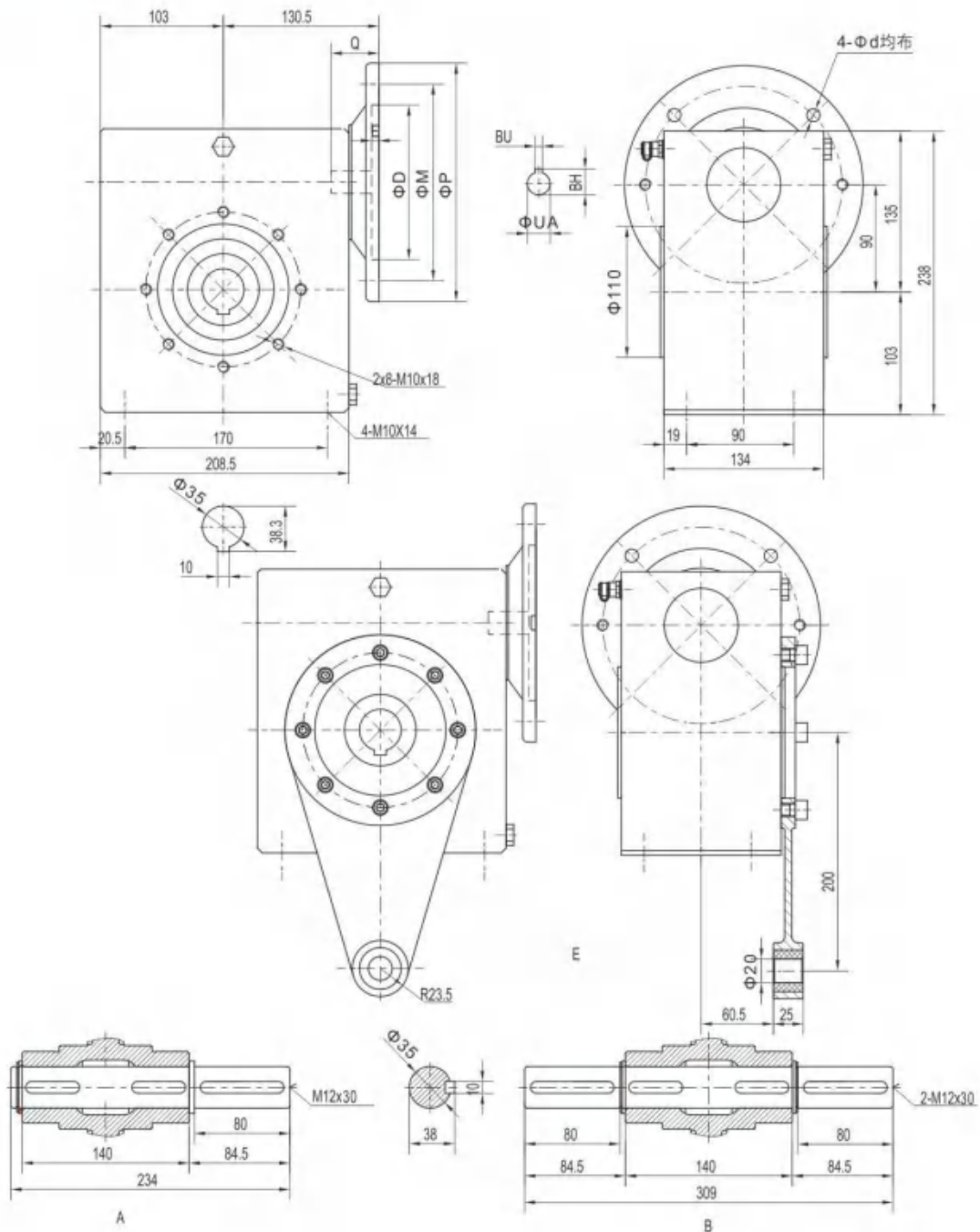
代号 Model 法兰规格 Flange Specification	D	M	P	d	BH	BU	E	Q	输入孔径Input Aperture UA											
									速比Ratio i											
									7.5	10	15	20	25	30	40	50	60	80	100	
80B5	130	165	200	11	21.8	6	6	40	19	19	19	19	19	19	-	-	-	-	-	-
80B14	80	100	120	6.6	21.8	6	6	40	-	-	-	-	-	-	-	-	-	-	-	
71B5	110	130	160	9	16.3	5	6	30	-	14	14	14	14	14	14	14	14	14	14	-
71B14	70	85	105	6.6	16.3	5	4	30	-	-	-	-	-	-	-	-	-	-	-	
63B5	95	115	140	9	12.8	4	5	23	-	-	-	-	-	-	11	11	11	11	11	-

RESSD63..



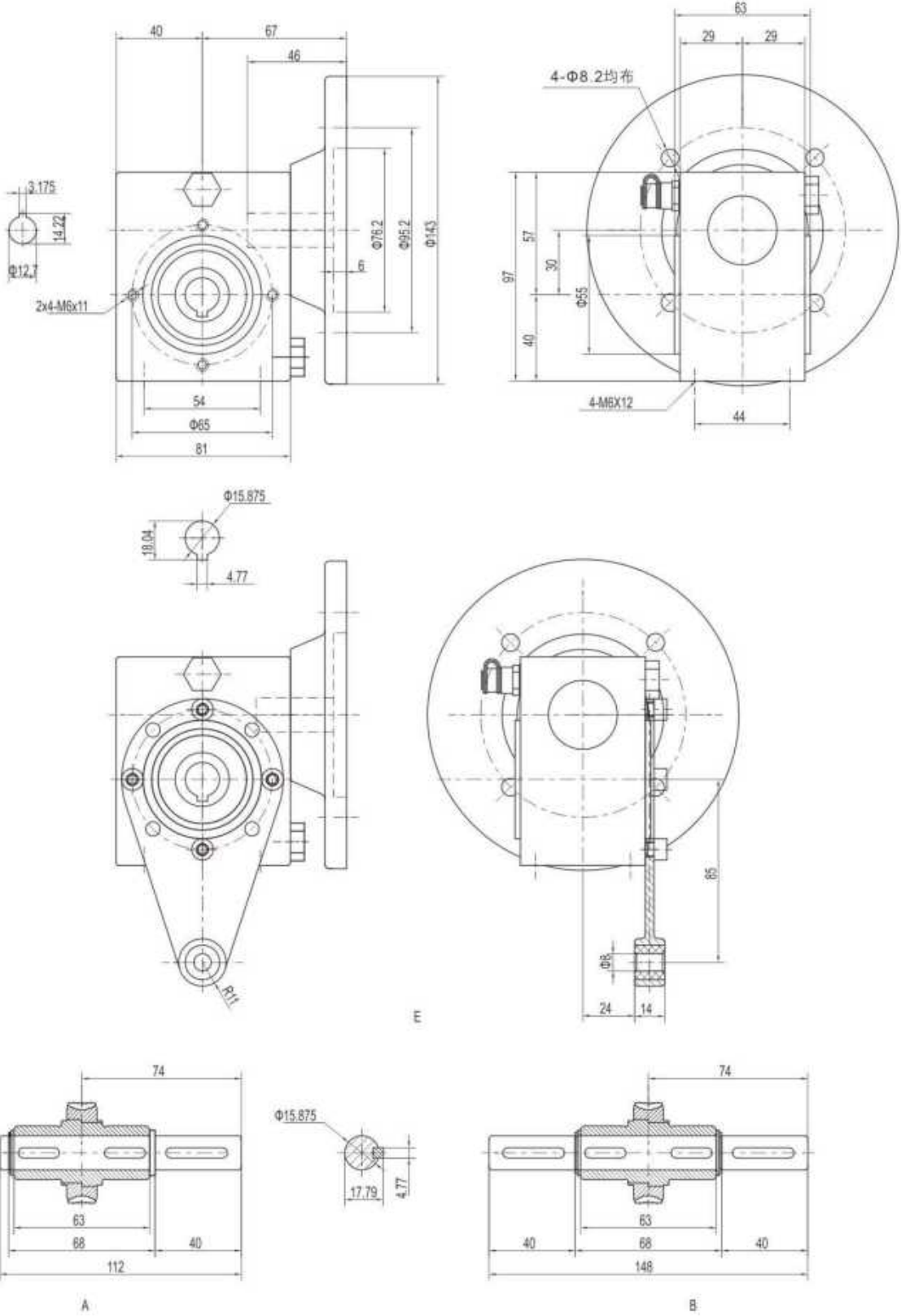
代号 Model 法兰规格 Flange Specification	D	M	P	d	BH	BU	E	Q	输入孔径 Input Aperture UA												
									速比 Ratio i												
									7.5	10	15	20	25	30	40	50	60	80	100		
90B5	130	165	200	11	27.3	8	6	50	24	24	24	24	24	24	-	-	-	-	-	-	-
90B14	95	115	140	9	27.3	8	6	50	-	-	-	-	-	-	-	-	-	-	-	-	-
80B5	130	165	200	11	21.8	6	6	40	-	-	19	19	19	19	19	19	19	19	-	-	-
80B14	80	100	120	7	21.8	6	6	40	-	-	-	-	-	-	-	-	-	-	-	-	-
71B5	110	130	160	9	16.3	5	5	30	-	-	-	-	-	-	14	14	14	14	14	14	14
71B14	70	85	105	7	16.3	5	4	30	-	-	-	-	-	-	-	-	-	-	-	-	-

RESSD90..

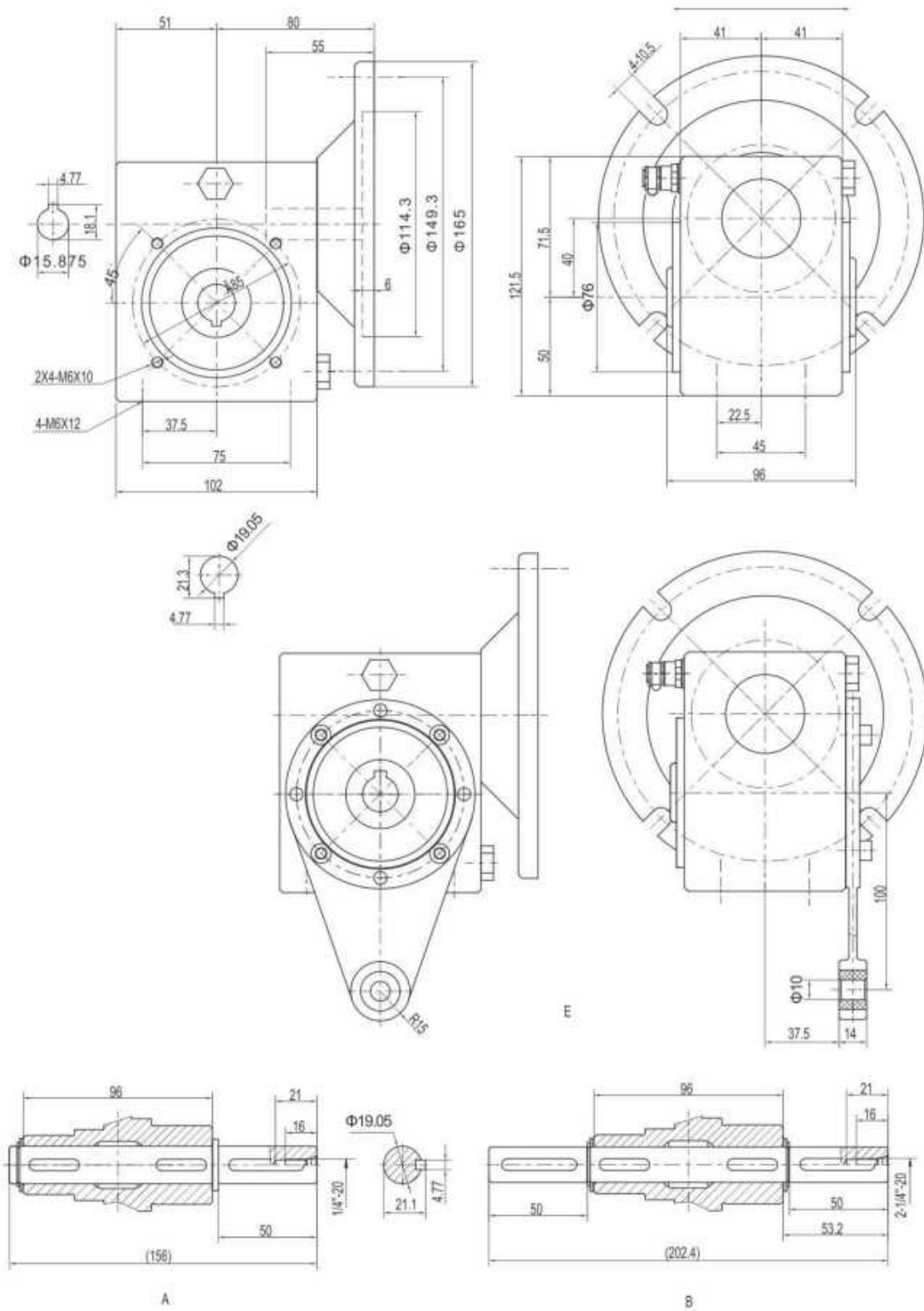


代号 Model 法兰规格 Flange Specification	D	M	P	d	BH	BU	E	Q	输入孔径Input Aperture UA												
									速比Ratio i												
									7.5	10	15	20	25	30	40	50	60	80	100		
100/112B5	180	215	250	14	31.3	8	6	57	28	28	28	-	-	-	-	-	-	-	-	-	-
100/112B14	110	130	160	9	31.3	8	6	57	-	24	24	24	24	24	24	-	-	-	-	-	-
90B5	130	165	200	11	27.3	8	6	50	-	-	-	-	-	-	-	-	-	-	-	-	-
90B14	95	115	140	9	27.3	8	6	50	-	-	-	-	-	-	-	-	-	-	-	-	-
80B5	130	165	200	11	21.8	6	6	40	-	-	-	-	19	19	19	19	19	19	19	19	19
80B14	80	100	120	6.6	21.8	6	6	40	-	-	-	-	-	-	-	-	-	-	-	-	-

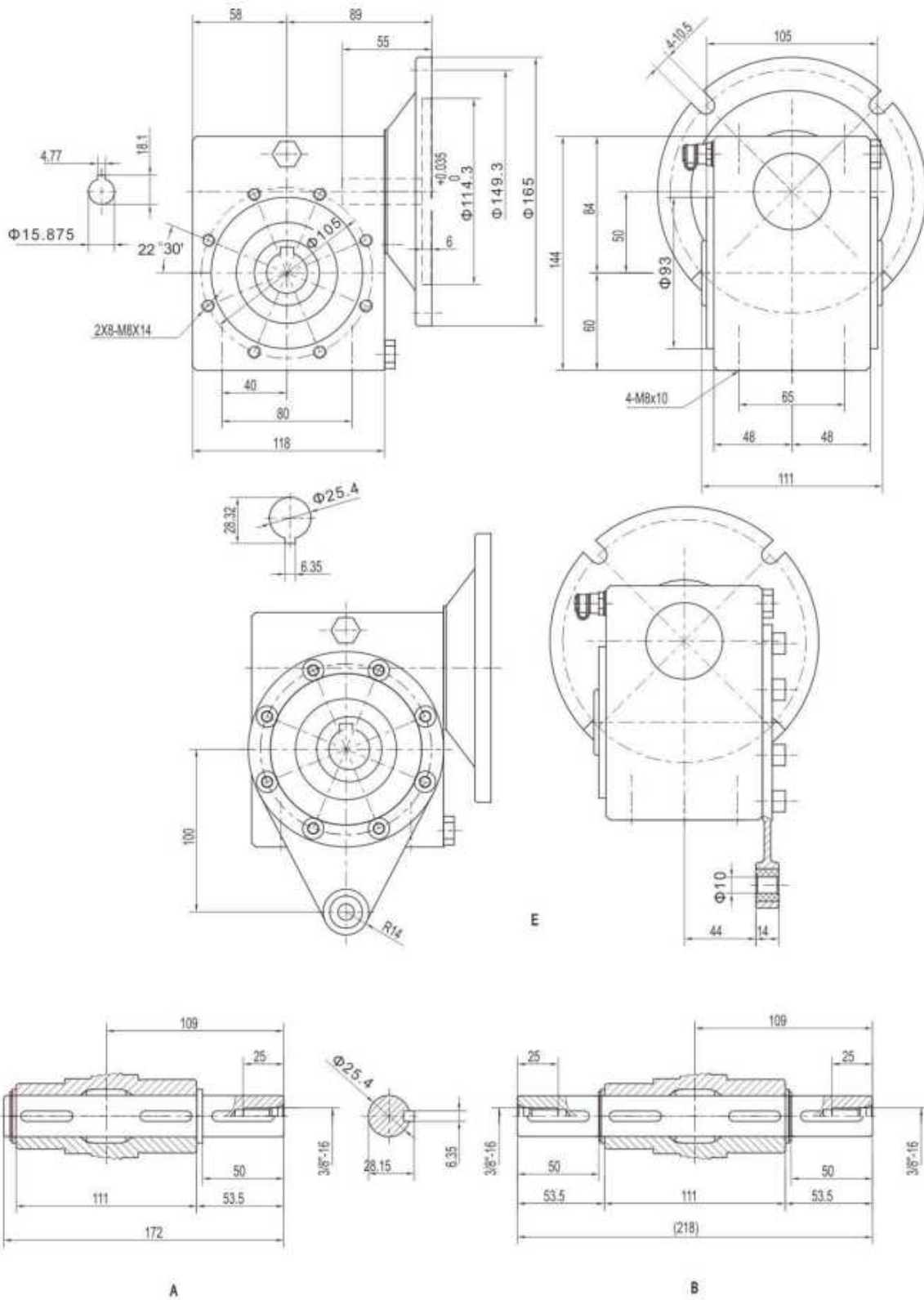
RESND30..



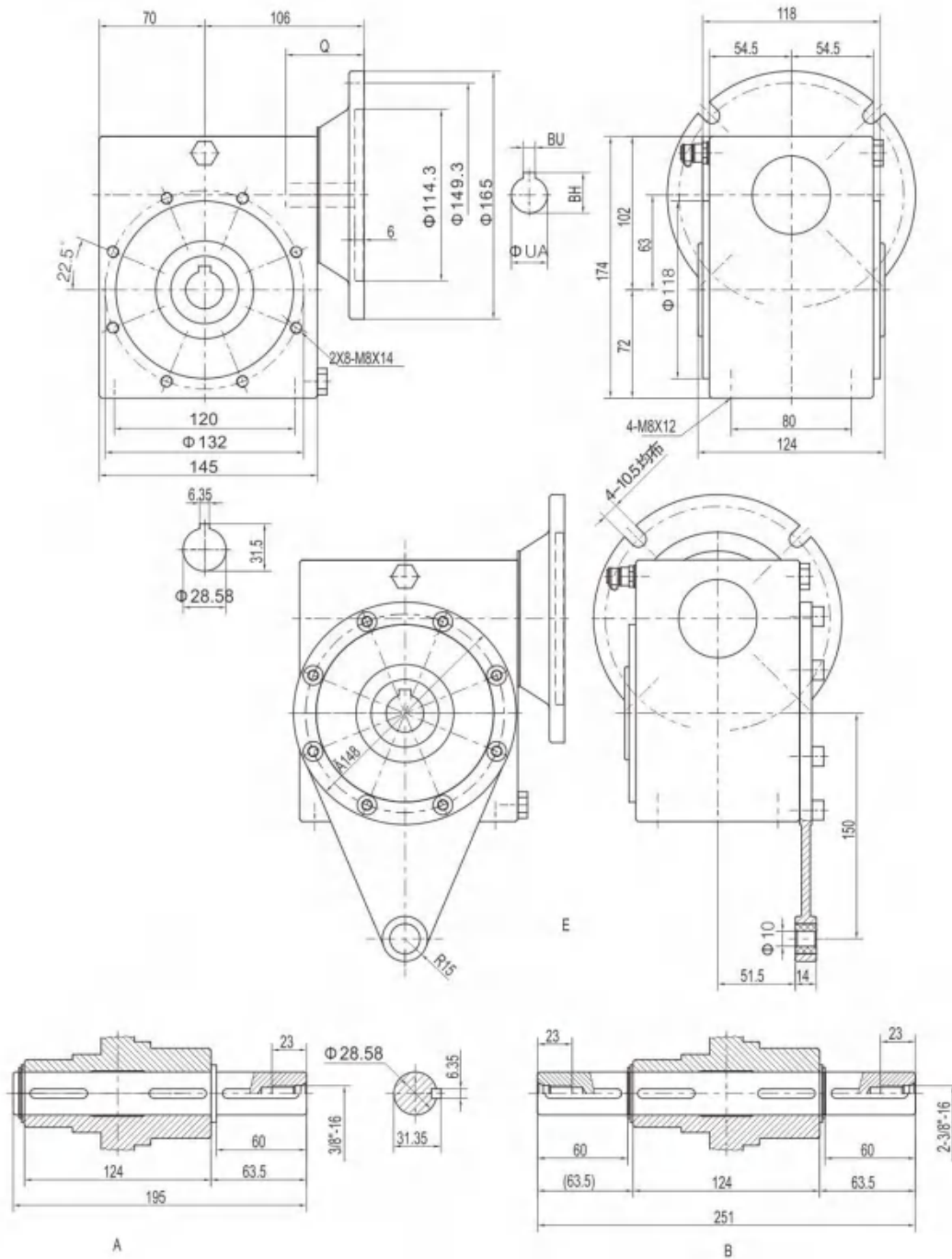
RESND40-56C..



RESND50-56C..

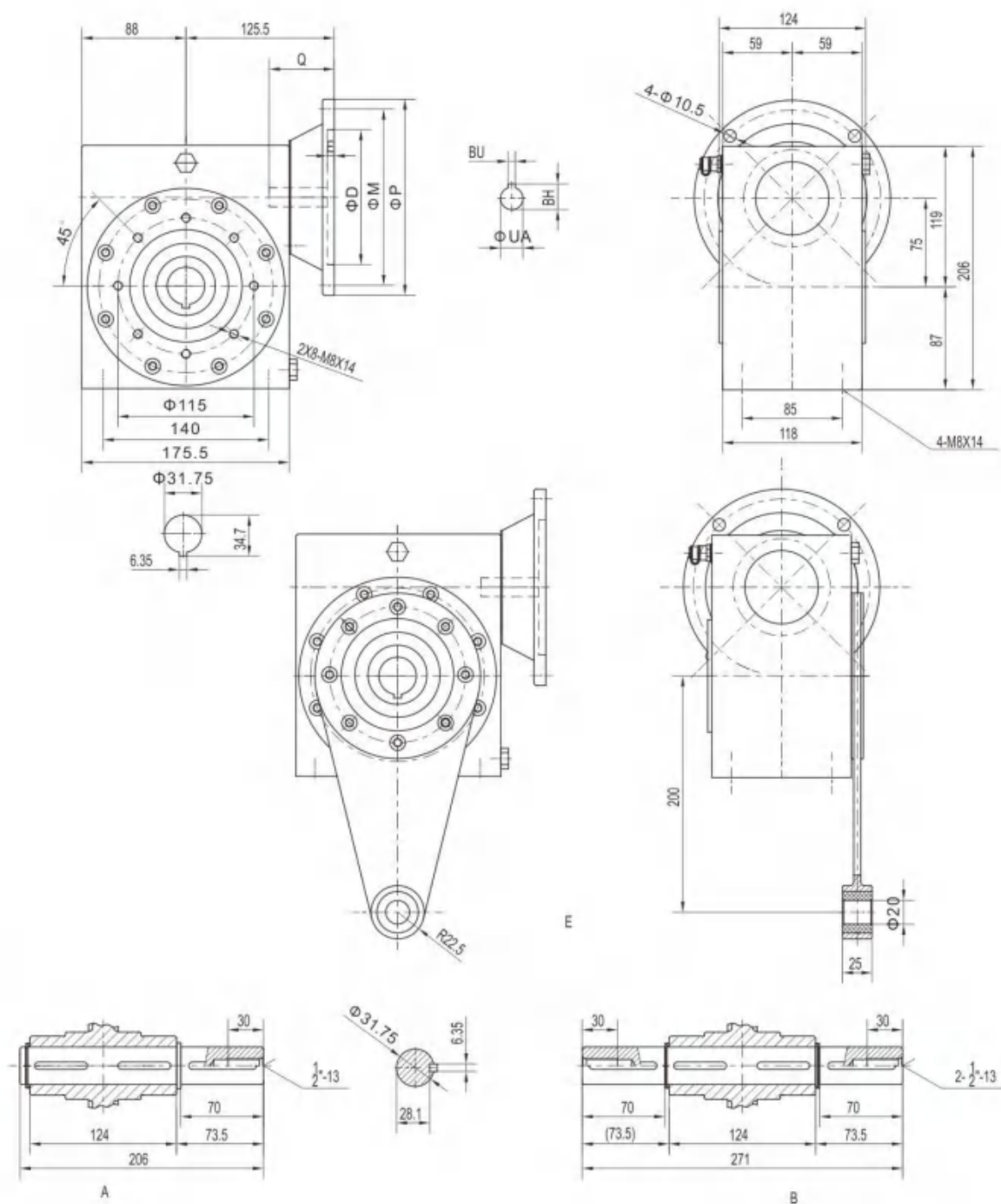


RESND63-56C/140TC..



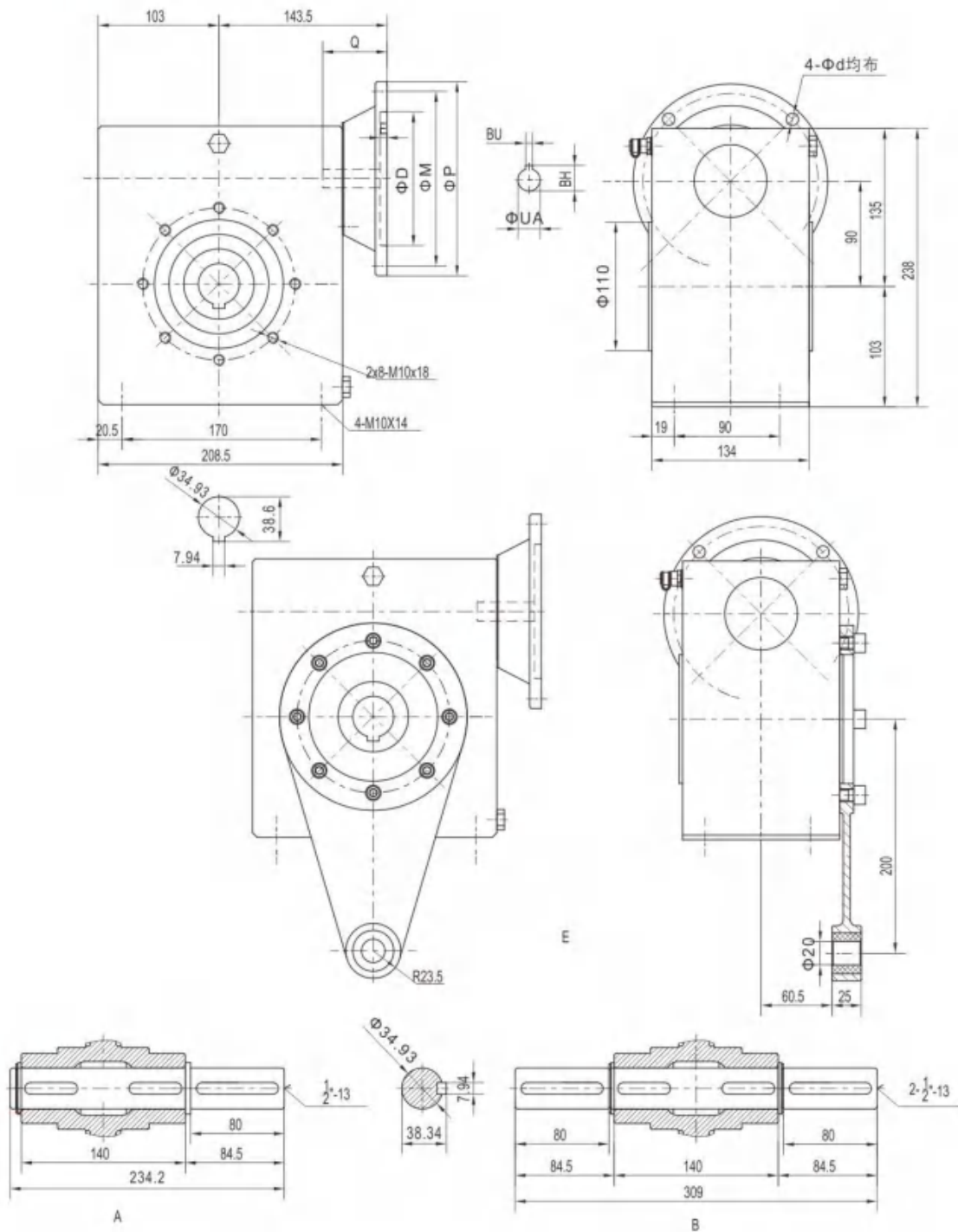
代号 Model 法兰规格 Flange Specification	D	M	P	d	BH	BU	E	Q	输入孔径Input Aperture UA									
									速比Ratio i									
									7.5	10	15	20	25	30	40	50	60	80
56C	114.3	149.4	165.1	10.5	18.1	4.78	6	55	15.88									
140TC	114.3	149.4	165.1	10.5	24.6	4.78	6	59	22.23									

RESND75..



代号 Model 法兰规格 Flange Specification	D	M	P	d	BH	BU	E	Q	输入孔径Input Aperture UA												
									速比Ratio i												
									7.5	10	15	20	25	30	40	50	60	80	100		
56C	114.3	149.4	165.1	10.5	18.1	4.78	6	55	15.88	15.88	15.88	15.88	15.88	15.88	15.88	15.88	15.88	15.88	15.88	15.88	15.88
140TC	114.3	149.4	165.1	10.5	24.6	4.78	6	59	22.23	22.23	22.23	22.23	22.23	22.23	22.23	22.23	22.23	22.23	22.23	-	-
180TC	130	165	200	13.7	31.5	6.35	6	76	28.58	28.58	28.58	28.58	28.58	28.58	28.58	28.58	-	-	-	-	

RESND90..



代号 Model 法兰规格 Flange Specification	D	M	P	d	BH	BU	E	Q	输入孔径Input Aperture UA											
									速比Ratio i											
									7.5	10	15	20	25	30	40	50	60	80	100	
56C	114.3	149.4	165.1	10.5	18.1	4.78	6	55	15.88	15.88	15.88	15.88	15.88	15.88	15.88	15.88	15.88	15.88	15.88	15.88
140TC	114.3	149.4	165.1	10.5	24.6	4.78	6	59	22.23	22.23	22.23	22.23	22.23	22.23	22.23	22.23	22.23	22.23	-	-
180TC	130	165	200	13.7	31.5	6.35	6	76	28.58	28.58	28.58	28.58	28.58	28.58	28.58	-	-	-	-	

4. 注油量(L)

规格	30	40	50	63	75	90
注油量	0.2	0.4	0.5	0.7	1.5	1.8

5. 整机重量(kg) (仅供参考)

规格	30	40	50	63	75	90
注油量	3.5	6.5	9	13.6	20.5	35.8